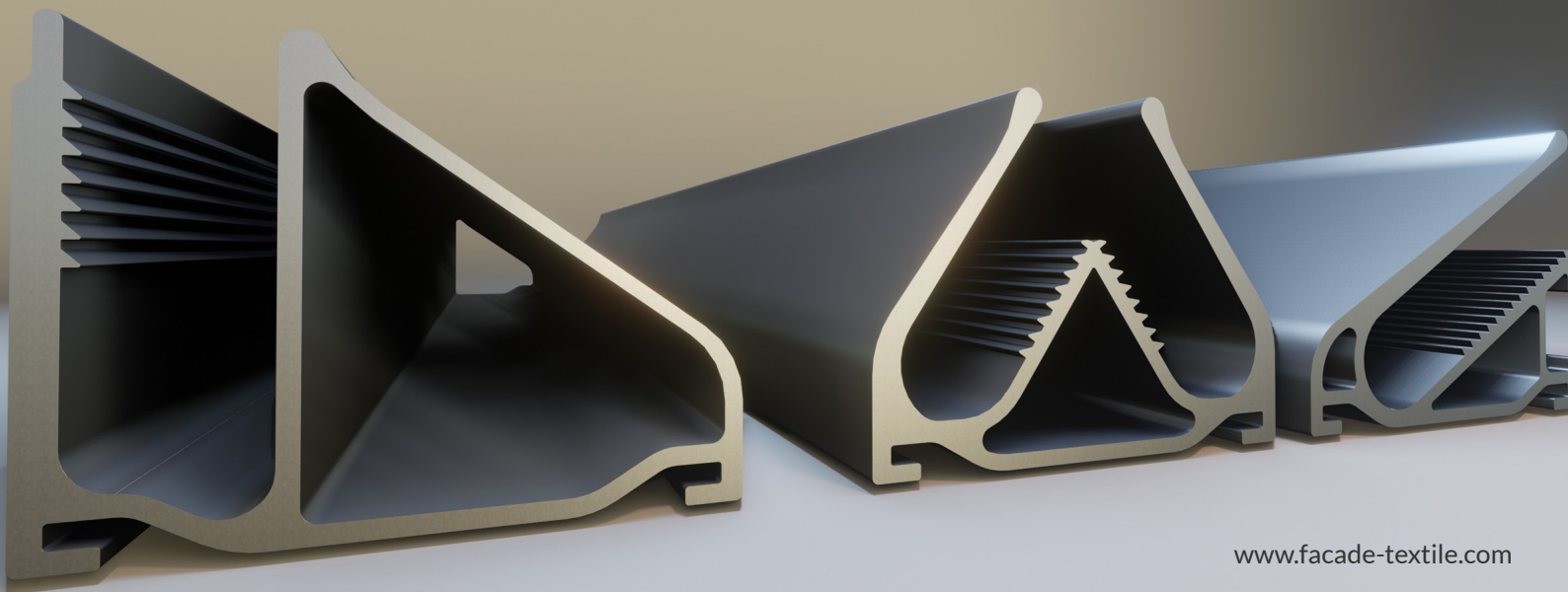
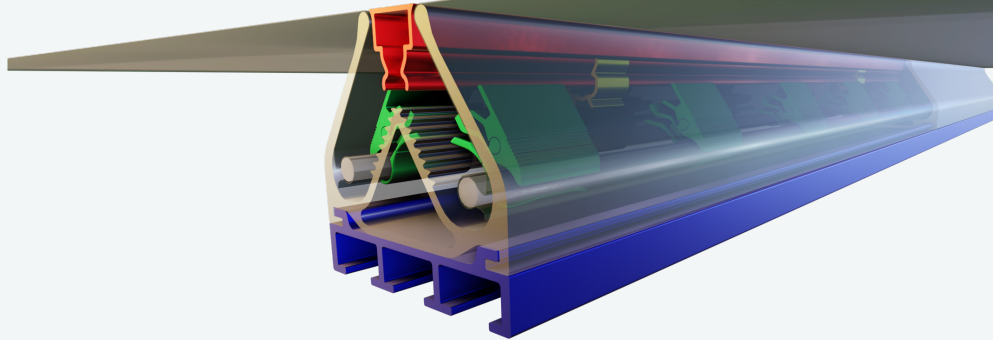


Solar Skin **CONFIG**



Solar Skin CONFIG 1

www.facade-textile.com



	Description	FTI REF
Body	Double-channel body profile	SSD80
Swan	Tensioning SWAN	SWAN
Socle	Continuous modular socle for body profile	AM80
Clip	Clip profile for Cover	CHD
Cover	Flat surface cover profile for double-channel body profile	CFD

+41 79 137 81 59

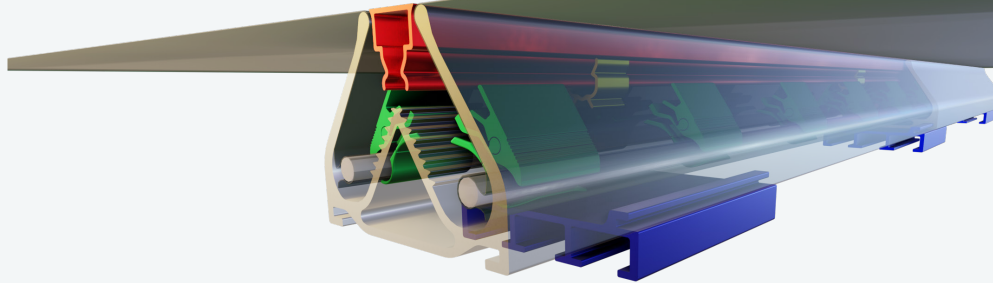
contact@facade-textile.com

EUROPE - INDIA - CHINA - JAPAN



Solar Skin CONFIG 2

www.facade-textile.com



	Description	FTI REF
Body	Double-channel body profile	SSD80
Swan	Tensioning SWAN	SWAN
Socle	Split modular socle for body profile	AM80
Clip	Clip profile for Cover	CHD
Cover	Flat surface cover profile for double-channel body profile	CFD

+41 79 137 81 59

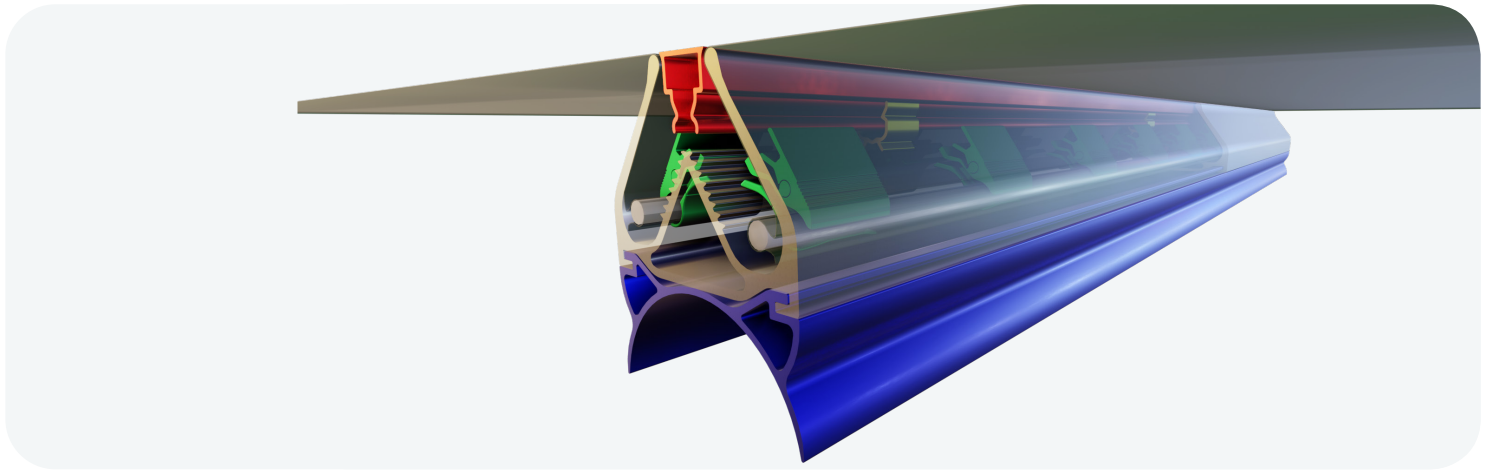
contact@facade-textile.com

EUROPE - INDIA - CHINA - JAPAN



Solar Skin CONFIG 3

www.facade-textile.com



	Description	FTI REF
Body	Double-channel body profile	SSD80
Swan	Tensioning SWAN	SWAN
Socle	Continuous circular socle for body profile	AT80
Clip	Clip profile for Cover	CHD
Cover	Flat surface cover profile for double-channel body profile	CFD

+41 79 137 81 59

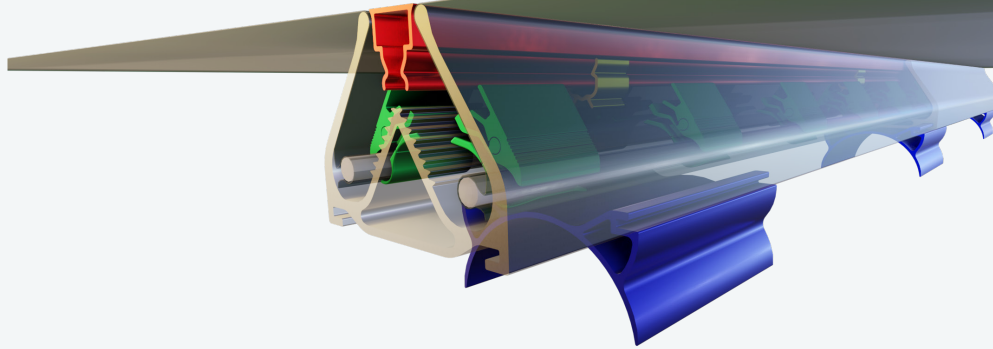
contact@facade-textile.com

EUROPE - INDIA - CHINA - JAPAN



Solar Skin CONFIG 4

www.facade-textile.com



	Description	FTI REF
Body	Double-channel body profile	SSD80
Swan	Tensioning SWAN	SWAN
Socle	Split circular socle for body profile	AT80
Clip	Clip profile for Cover	CHD
Cover	Flat surface cover profile for double-channel body profile	CFD



+41 79 137 81 59



contact@facade-textile.com

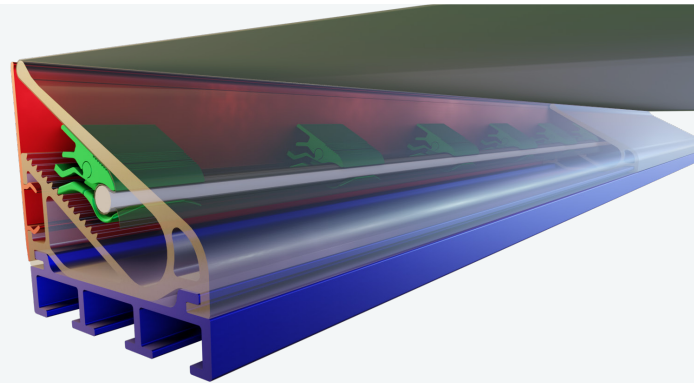


EUROPE - INDIA - CHINA - JAPAN



Solar Skin CONFIG 5

www.facade-textile.com



	Description	FTI REF
Body	Side-channel body profile	SSS80
Swan	Tensioning SWAN	SWAN
Socle	Continuous modular socle for body profile	AM80
Cover	Flat surface cover profile for side-channel body profile	CFS



+41 79 137 81 59



contact@facade-textile.com

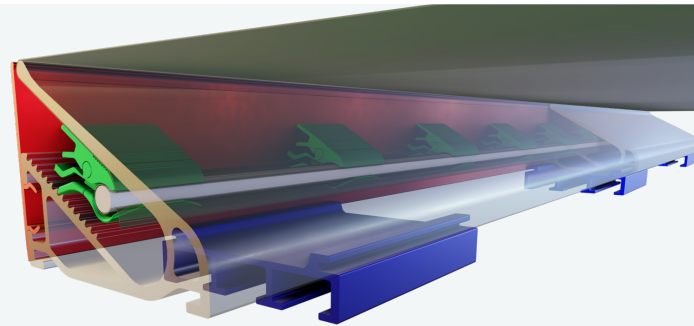


EUROPE - INDIA - CHINA - JAPAN



Solar Skin CONFIG 6

www.facade-textile.com



	Description	FTI REF
Body	Side-channel body profile	SSS80
Swan	Tensioning SWAN	SWAN
Socle	Split modular socle for body profile	AM80
Cover	Flat surface cover profile for side-channel body profile	CFS



+41 79 137 81 59



contact@facade-textile.com

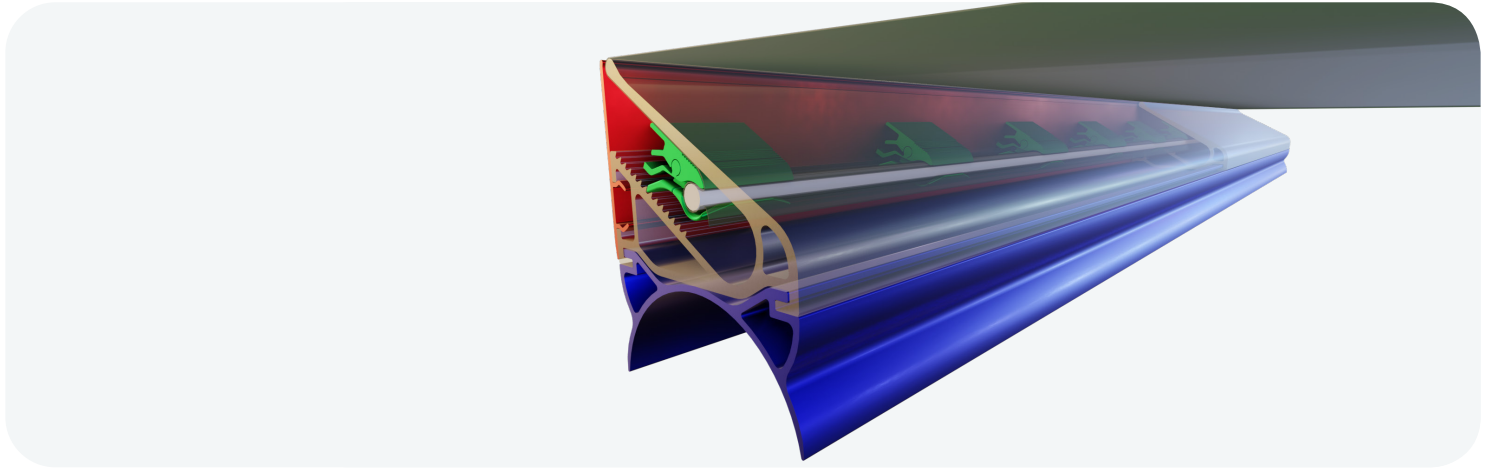


EUROPE - INDIA - CHINA - JAPAN



Solar Skin CONFIG 7

www.facade-textile.com



	Description	FTI REF
Body	Side-channel body profile	SSS80
Swan	Tensioning SWAN	SWAN
Socle	Continuous circular socle for body profile	AT80
Cover	Flat surface cover profile for side-channel body profile	CFS

+41 79 137 81 59

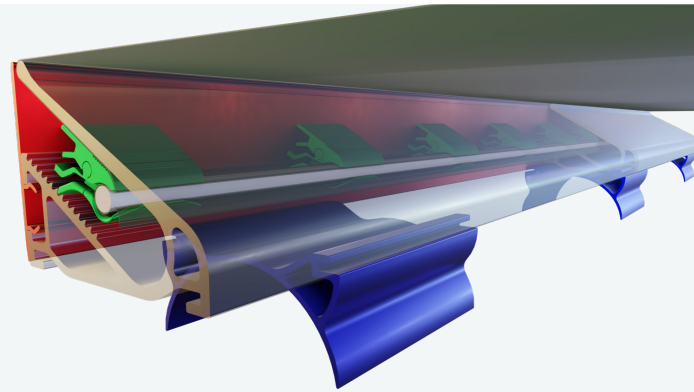
contact@facade-textile.com

EUROPE - INDIA - CHINA - JAPAN



Solar Skin CONFIG 8

www.facade-textile.com



	Description	FTI REF
Body	Side-channel body profile	SSS80
Swan	Tensioning SWAN	SWAN
Socle	Split circular socle for body profile	AT80
Cover	Flat surface cover profile for side-channel body profile	CFS



+41 79 137 81 59



contact@facade-textile.com

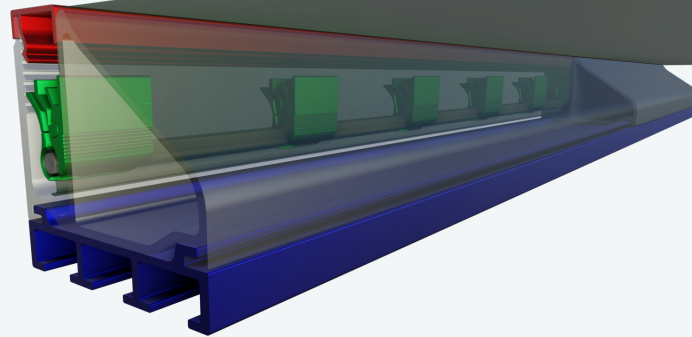


EUROPE - INDIA - CHINA - JAPAN



Solar Skin CONFIG 9

www.facade-textile.com



	Description	FTI REF
Body	Edge-channel body profile	SSE80
Swan	Tensioning SWAN	SWAN
Socle	Continuous modular socle for body profile	AM80
Cover	Flat surface cover profile for edge-channel body profile	CFE



+41 79 137 81 59



contact@facade-textile.com

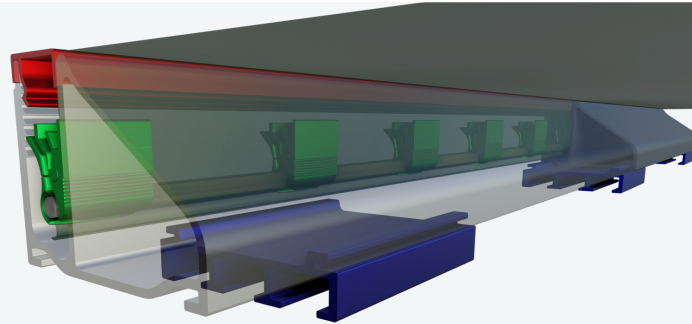


EUROPE - INDIA - CHINA - JAPAN



Solar Skin **CONFIG 10**

www.facade-textile.com



	Description	FTI REF
Body	Edge-channel body profile	SSE80
Swan	Tensioning SWAN	SWAN
Socle	Split modular socle for body profile	AM80
Cover	Flat surface cover profile for edge-channel body profile	CFE



+41 79 137 81 59



contact@facade-textile.com

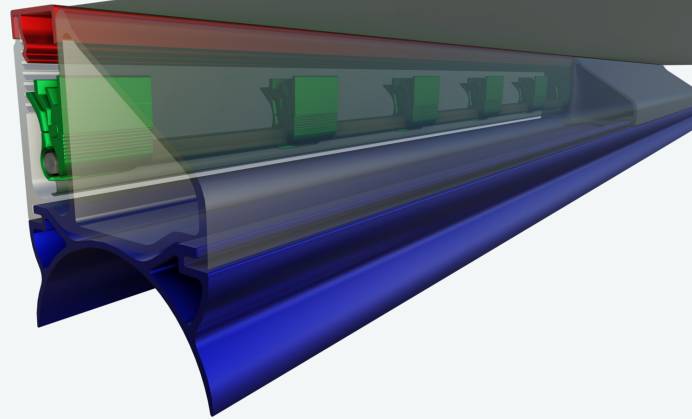


EUROPE - INDIA - CHINA - JAPAN



Solar Skin **CONFIG 11**

www.facade-textile.com



	Description	FTI REF
Body	Edge-channel body profile	SSE80
Swan	Tensioning SWAN	SWAN
Socle	Continuous circular socle for body profile	AT80
Cover	Flat surface cover profile for edge-channel body profile	CFE



+41 79 137 81 59



contact@facade-textile.com

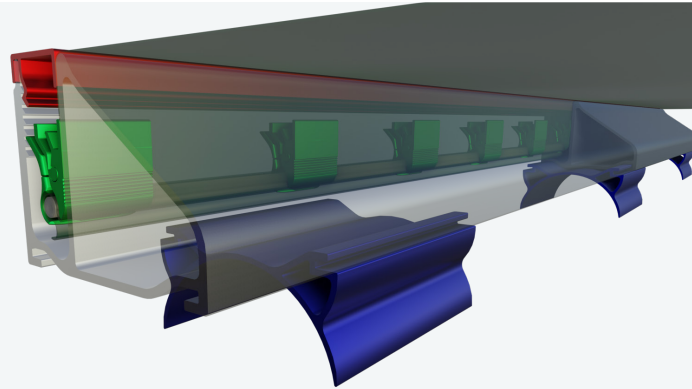


EUROPE - INDIA - CHINA - JAPAN



Solar Skin **CONFIG 12**

www.facade-textile.com



	Description	FTI REF
Body	Edge-channel body profile	SSE80
Swan	Tensioning SWAN	SWAN
Socle	Split circular socle for body profile	AT80
Cover	Flat surface cover profile for edge-channel body profile	CFE



+41 79 137 81 59



contact@facade-textile.com



EUROPE - INDIA - CHINA - JAPAN

