

# CEDRAL

Timelessly beautiful facades

- ✓ maintenance-free
- ✓ free from painting
- ✓ easy to install



## Fixing Guide Cedral Lap

[www.cedralsidings.com](http://www.cedralsidings.com)

# CONTENT

|   |    |
|---|----|
| Step by step guide to installing your Cedral façade | 3  |
| Required materials and tools                        | 4  |
| 1. Prepare wall(s)                                  | 6  |
| 2. Install horizontal battens                       | 7  |
| 3. Install vertical battens                         | 8  |
| 4. Install profiles                                 | 10 |
| 5. Install Cedral cladding                          | 12 |
| 6. Window finishing                                 | 14 |
| 7. The finishing touch                              | 16 |
| 8. Finish the façade                                | 18 |
| 9. Vertical installation                            | 19 |
| 10. Cedral system components & required quantities  | 20 |
| Notes   | 22 |

# STEP BY STEP GUIDE TO INSTALLING YOUR CEDRAL LAP FAÇADE

This brochure is your guide to preparing and installing a Cedral Lap façade. You will find tips and ideas, clear steps to follow, and the tools you will need.

Use this guide along with the movie, available on [www.cedralsidings.com](http://www.cedralsidings.com), and the technical application guideline which applies in your country to make sure your façade is installed correctly.

You can obtain this documentation and any other info from the dealer where you purchased this material.

## Before you begin

Take a good look at this brochure to see what stages are involved in installing your Cedral façade and organise what tools you will need. Ensure that the job site is clean and safely accessible before you begin.

Wear proper safety equipment such as hard hats and safety shoes. Use barriers to keep people away from the job site.

Check off your delivery to see that everything is in order and that the quantities supplied correspond to the needs of your job site.

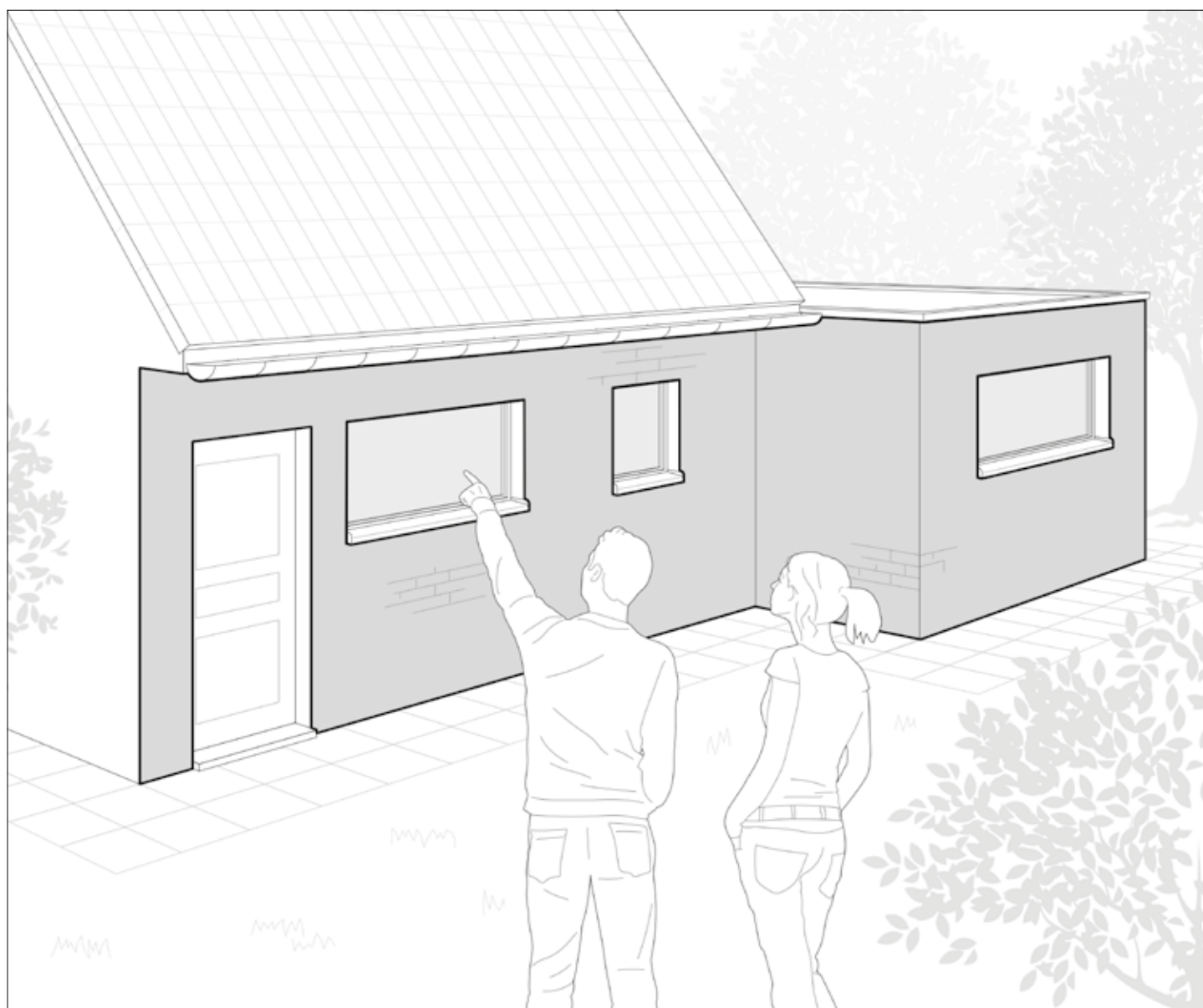
Remember that this brochure is intended to help you by showing you the principles of

installing a Cedral façade on a typical renovation job site.

If you have specific questions related to your job site or need help, you can contact your dealer or contact a professional installer.

If the façade is over 12 m high, located close to the sea, or subjected to high winds, then extra precautions are needed. Please contact your dealer.

Remove all obstacles from the façade such as rain pipes, decorations, lamps, etc. Cut window sills flush with the wall.



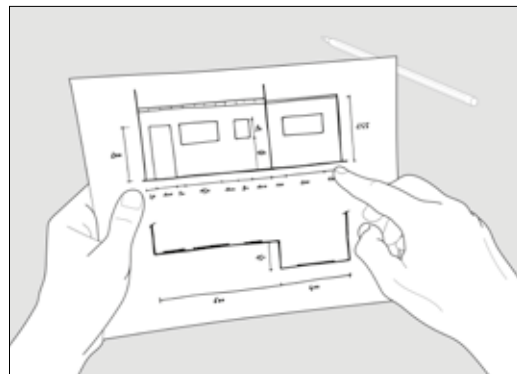
## REMEMBER SAFETY

Make sure that the electricity, water, and gas are shut off before you begin. Use a qualified professional to disconnect, secure, and reconnect your water, gas, and electricity.

# MATERIALS AND TOOLS YOU'LL NEED

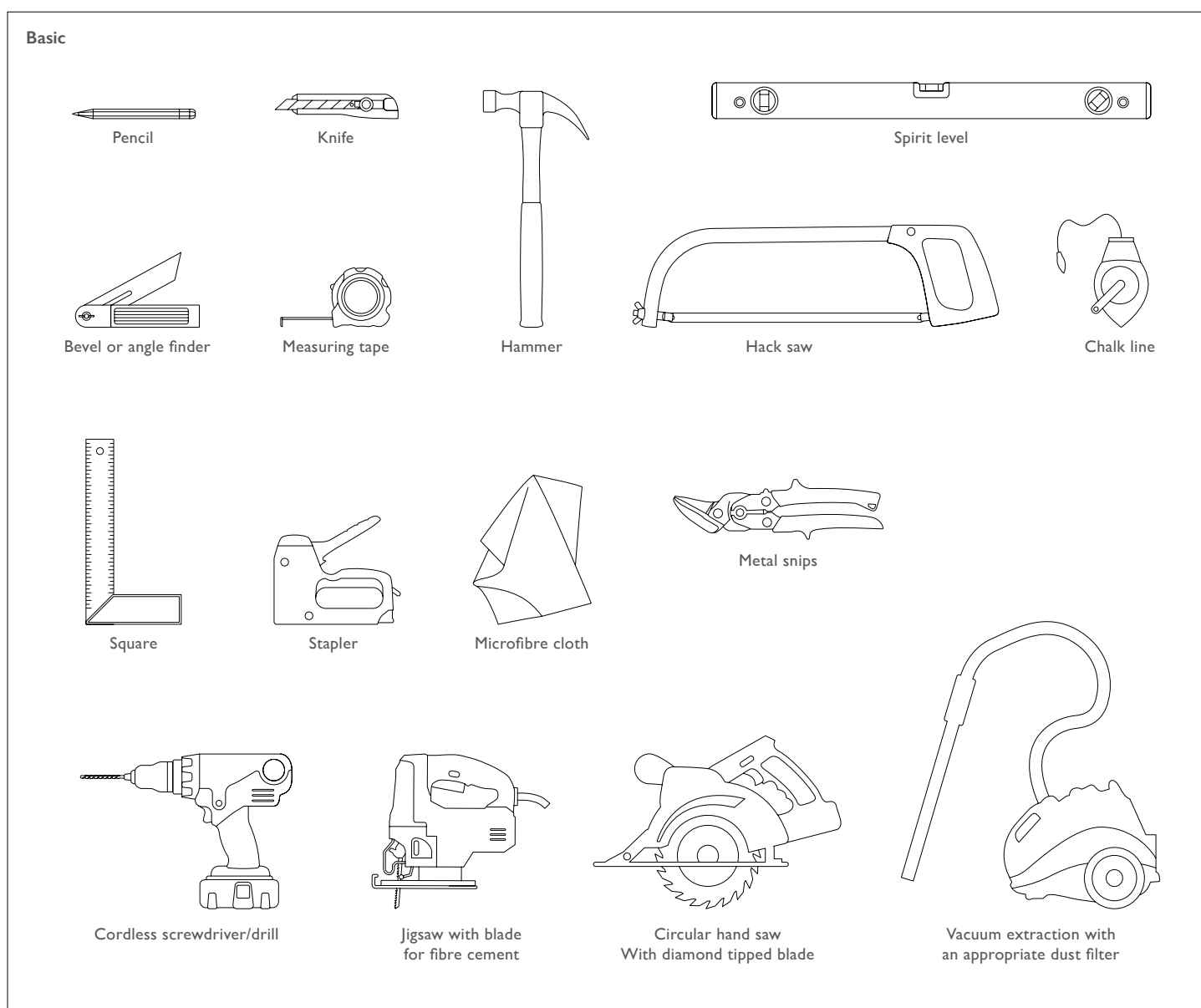
## Measuring up for ordering materials

1. Draw a diagram of each wall you want to clad. You do not have to draw it to scale. Just mark all the measurements on it, including windows and doors.
2. Take your diagram along with to your Cedral supplier. They will help you work out how many Cedral strips, lengths of profiles, and quantities of accessories you will need. The drawing at the end of this booklet is designed to help you.



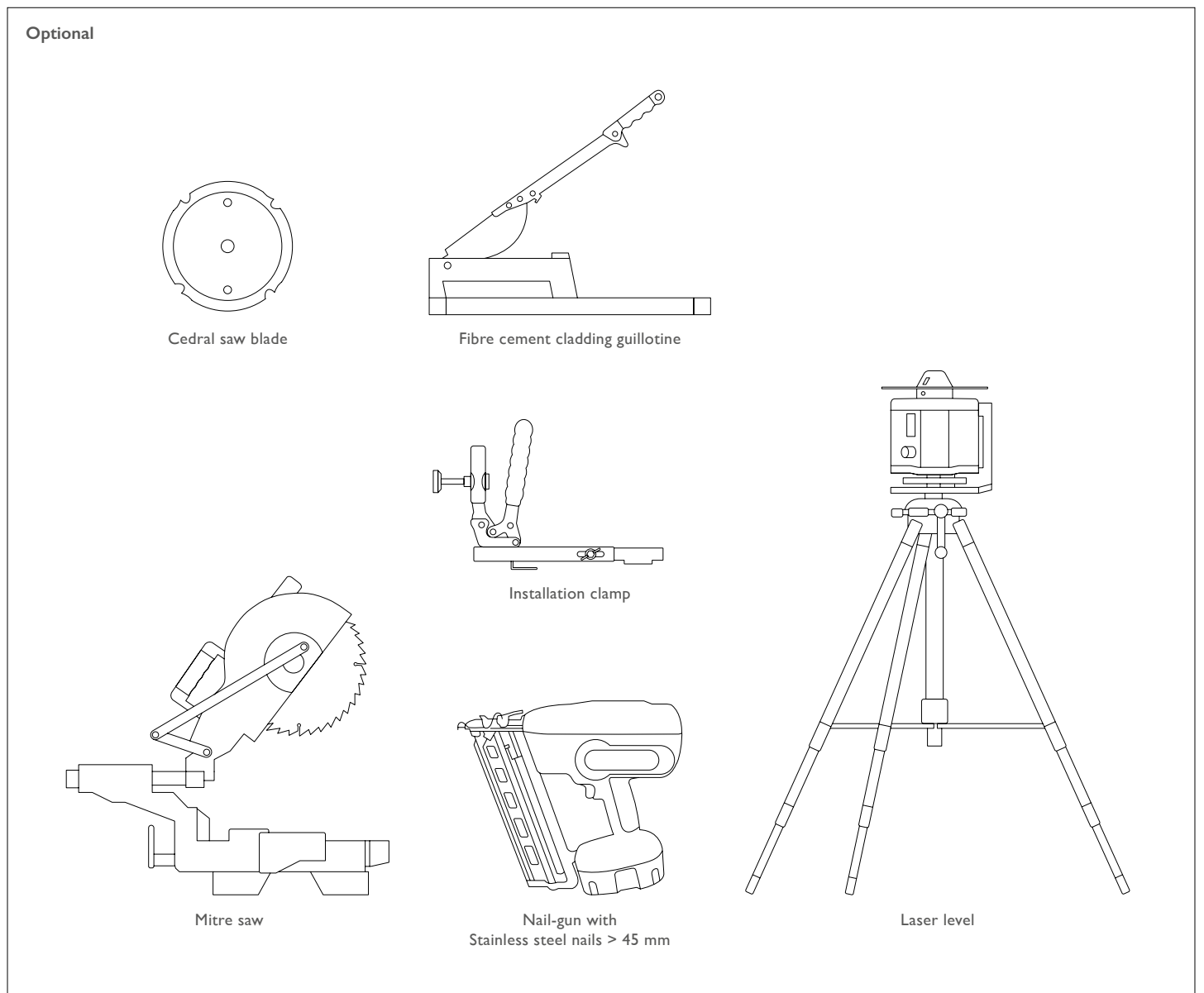
## Required tools

The tools you will need depend on how much Cedral cladding you plan to install. Remember to wear safety shoes, safety glasses, ear protection, a dust mask, gloves, and any other safety equipment.



## Optional equipment

When the job site is bigger, you might find it easier to use the following tools too:



## GOOD TO KNOW!

Brick, render, concrete, etc.; there are many types of walls. Therefore, fastening equipment for subframes is not available from Cedral. Most hardware or building materials stores stock appropriate fastening hardware and can help you choose what is right for your walls.



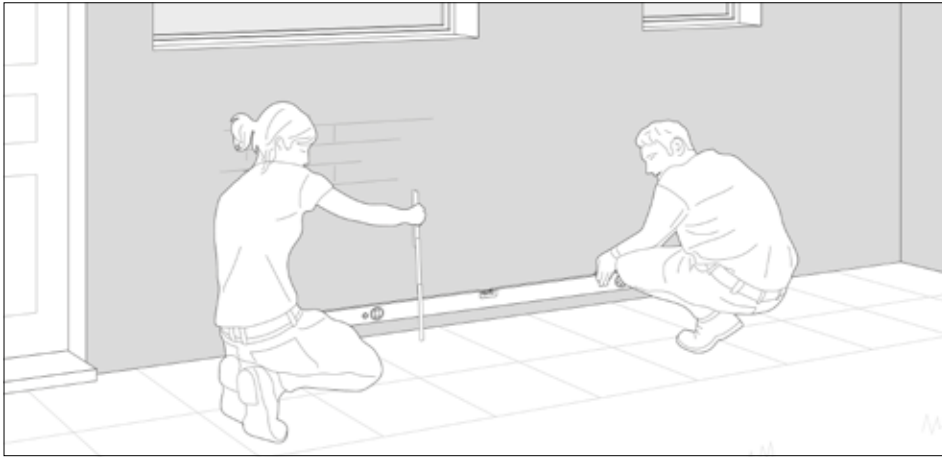
# I

## PREPARE WALL(S)

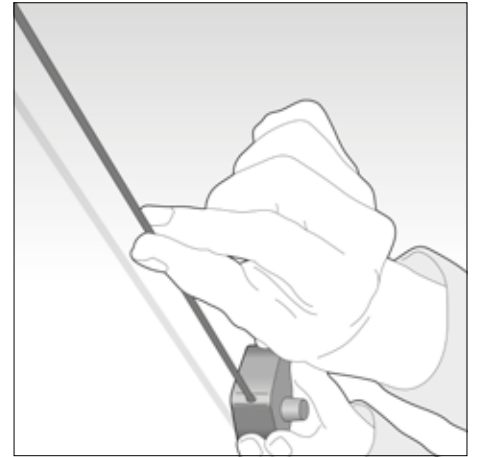
Once all obstacles are removed from the façade, you are ready to prepare your walls by making sure that your walls and the fastenings you will use are suitable for supporting the subframe and the Cedral cladding. This is crucial to ensure the success of the following steps.

### Mark subframe

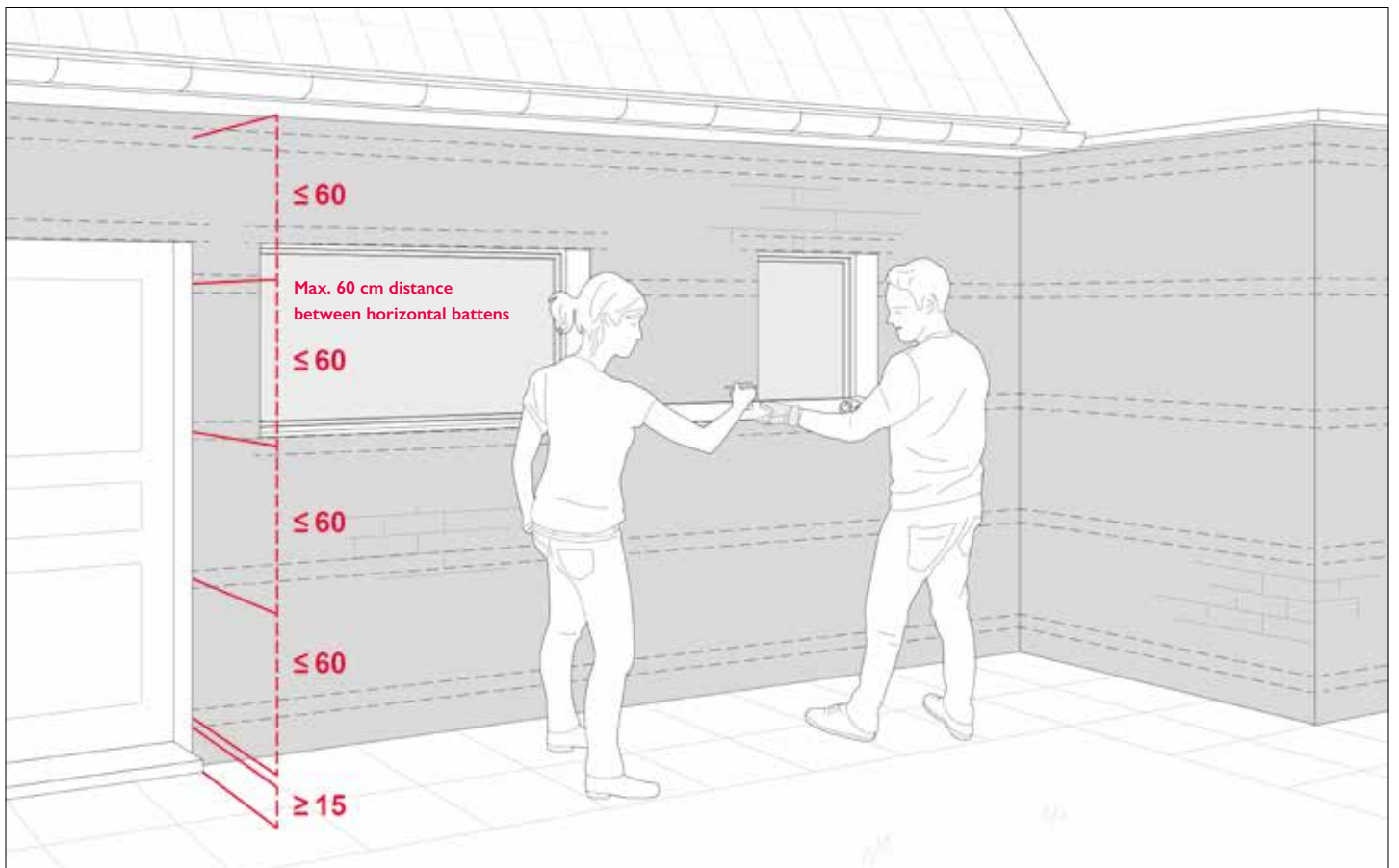
Draw the layout of the subframe directly on the wall. Start by marking the horizontal baseline, the horizontal battens, and possibly where the vertical battens of the subframe will be attached. Remember to provide additional vertical battens on places where things will be attached to the façade (hinges, flower pots, etc.) later.



For the baseline, measure at least 15 cm above the highest point of the ground and mark it on the wall, then chalk a straight baseline across the façade, ensuring it is level.



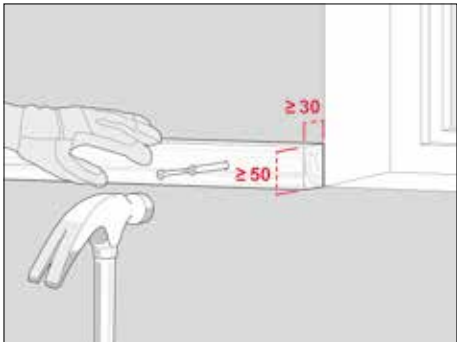
Use the chalk line to divide the wall into even sections of max. 60 cm.



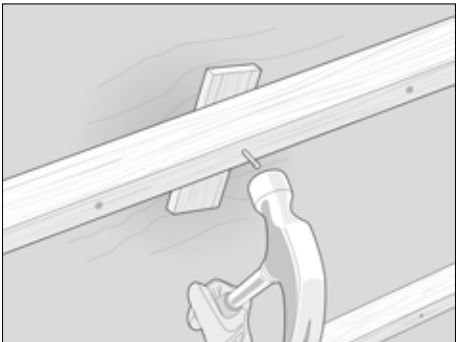
# 2

## INSTALL HORIZONTAL BATTENS

The cladding can be hung directly on a support frame in the Cedral installation system. In our example below, the subframe is a combination of horizontal and vertical battens. This is easy to install and allows space for insulation. It is important to make sure the support frame is straight and level, and to secure it with the right screw type for your wall.



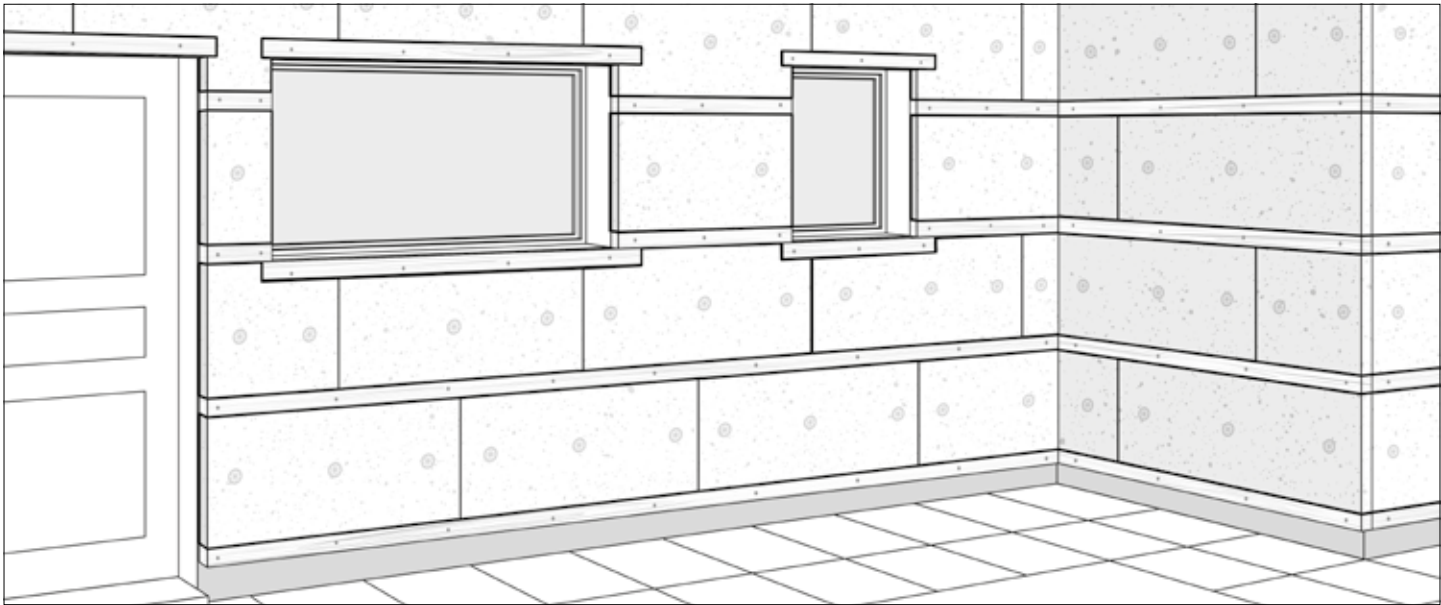
Fasten battens to the wall using the appropriate fastening material.



If the wall is uneven, use shims between the wall and the batten to ensure that the batten is level.



Install insulation in a staggered pattern between the horizontal battens and flush with the timber. Avoid any potential gaps.

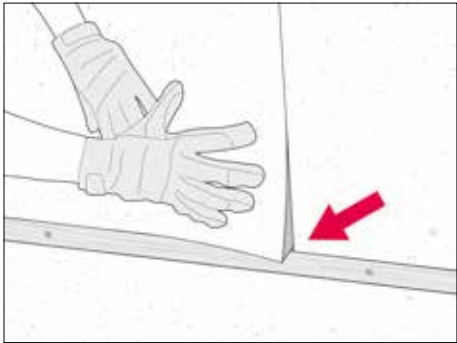


Attach the insulation by using insulation fastenings. Ensure that the insulation is pressed tightly against the wall and that there are no gaps.

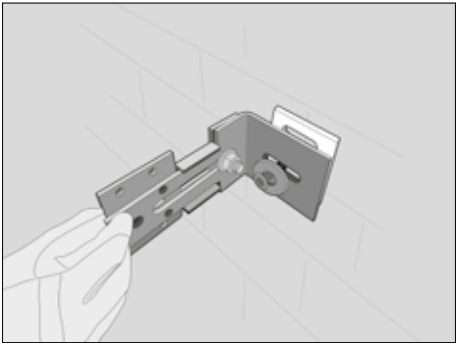


### INSTALLATION TIP

Other solutions are available to make installation easier in some applications:



When using horizontal battens as explained above, the horizontal batten size will determine the thickness of the insulation.



If more insulation is needed or the wall is very uneven, then adjustable brackets can be used. Ask your dealer for details.

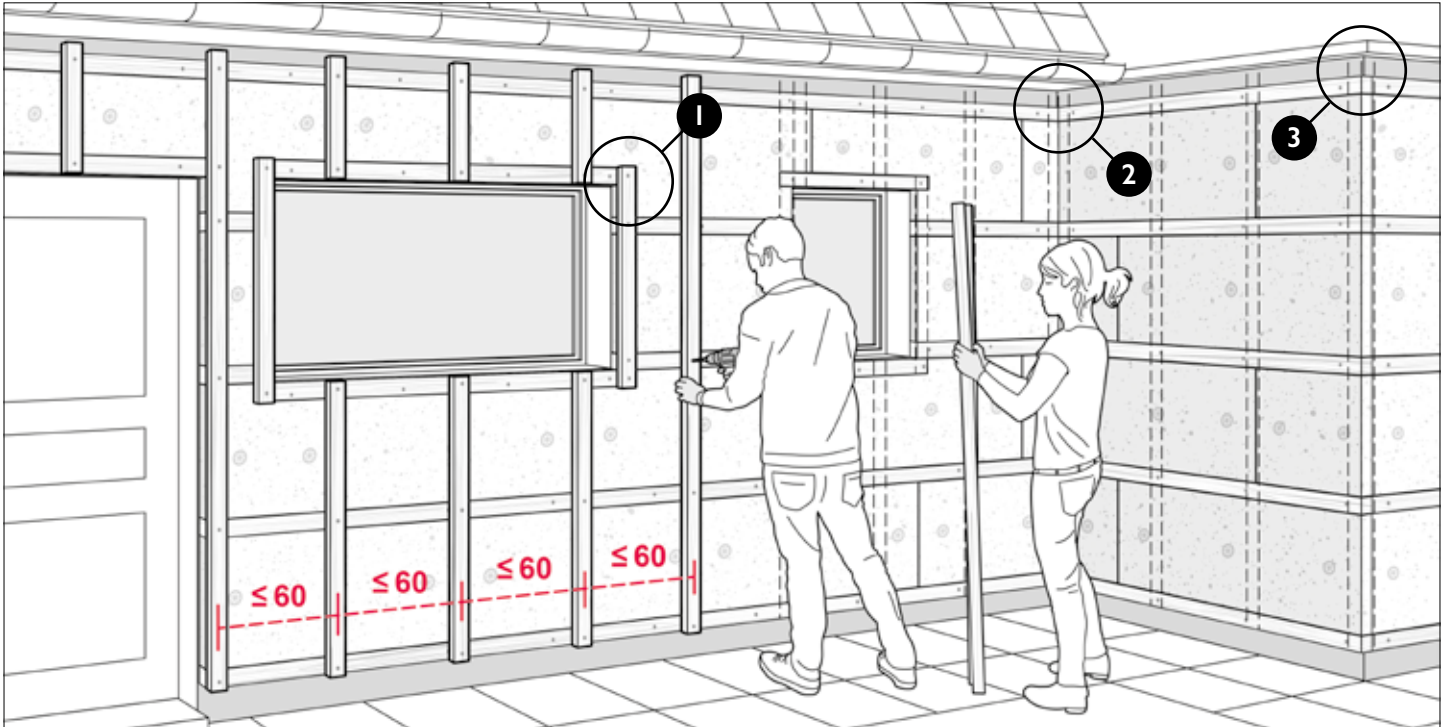


If the wall is flat and if no insulation is needed, then horizontal battens are not needed either (see next step).

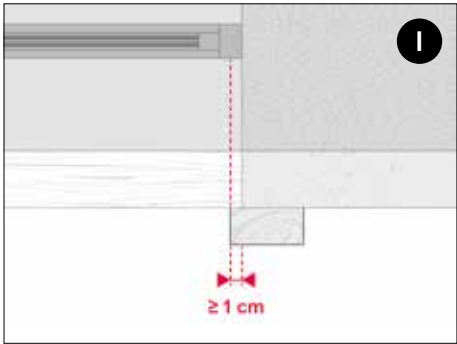
# 3

## INSTALL VERTICAL BATTENS

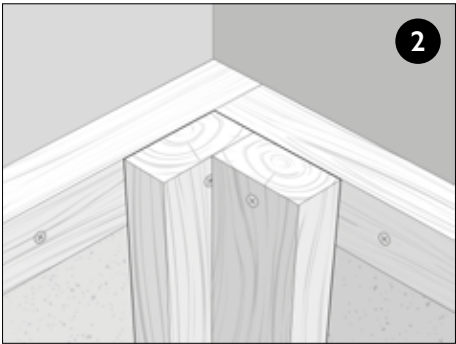
Now the vertical battens, to which the Cedral cladding will be attached, can be installed. To do this, divide the wall into even, vertical sections of max. 60 cm, which is where the battens will be attached. Reduce vertical batten spacing in areas with very high wind loads. Contact your dealer for the guidelines applicable in your area.



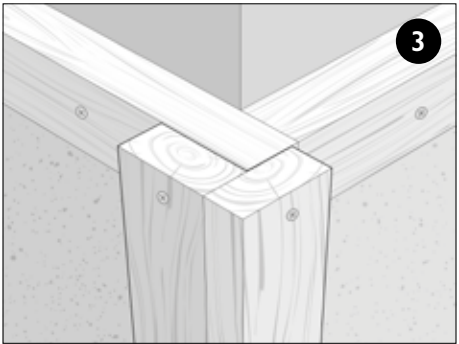
Now attach the vertical battens to the brackets, starting at the outer edge and working inwards.



The battens must overlap at window and door reveals by 1 cm or more, depending on the window frame and the desired insulation.



Make sure the battens meet at the corners, since they will provide support for the profiles to be installed later.



Now protect all the battens from top to bottom by stapling a plastic strip (PE or EPDM) to them.

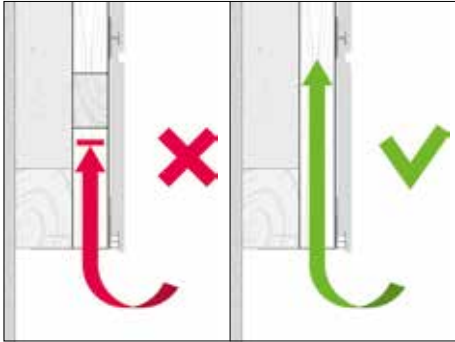


Measure the window sills so that they are wide enough to accommodate the Cedral cladding, cavity, battens, and at least 40 mm of overhang.

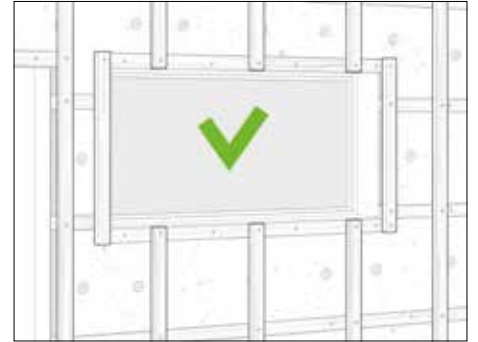
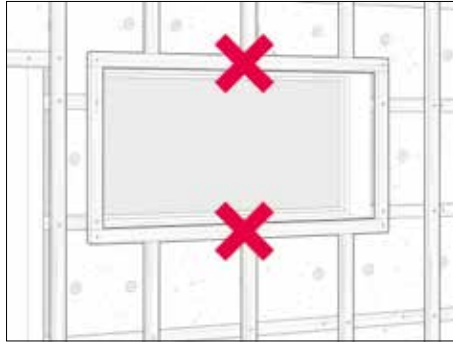


Order the window sill from your dealer.

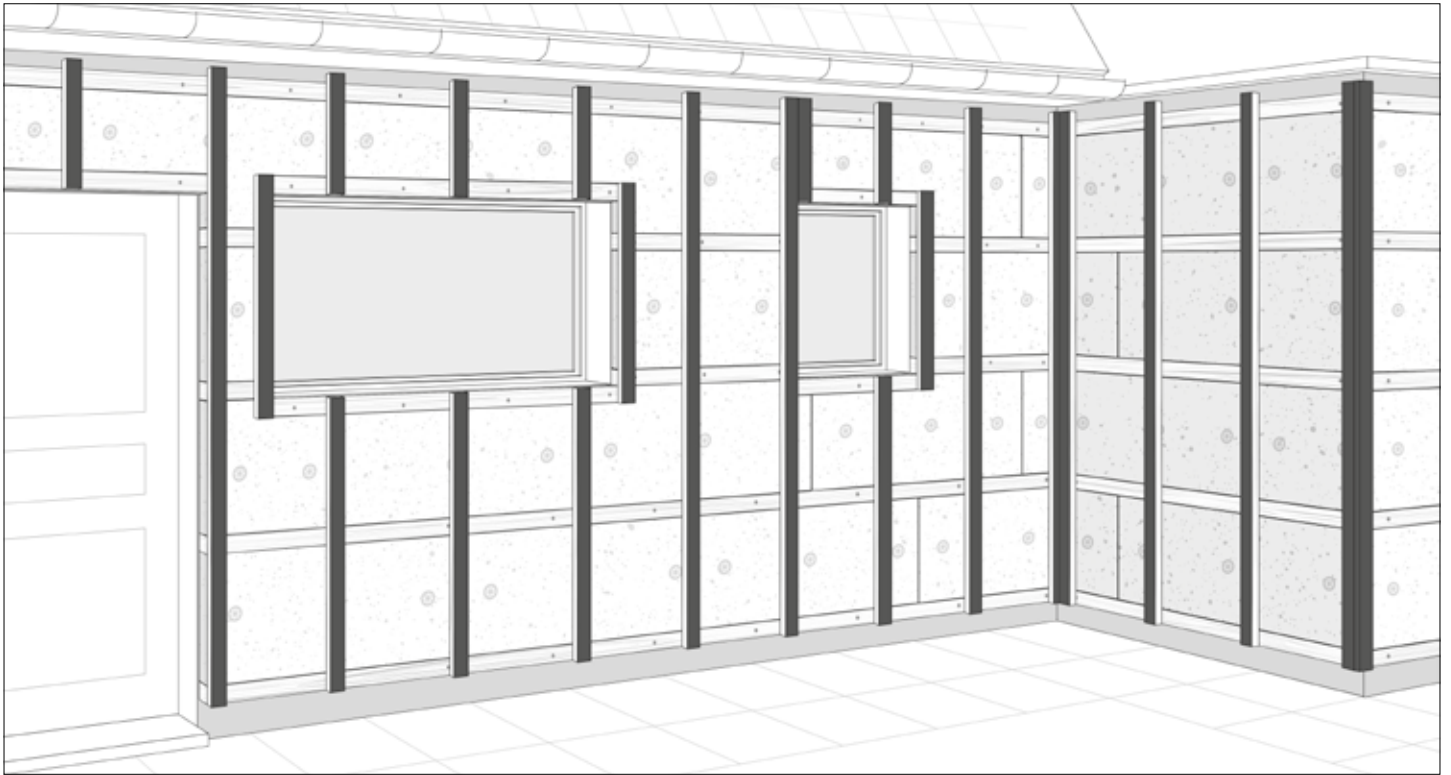




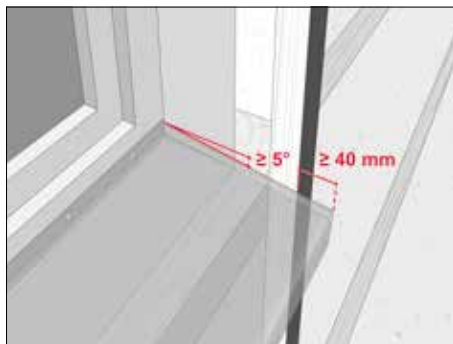
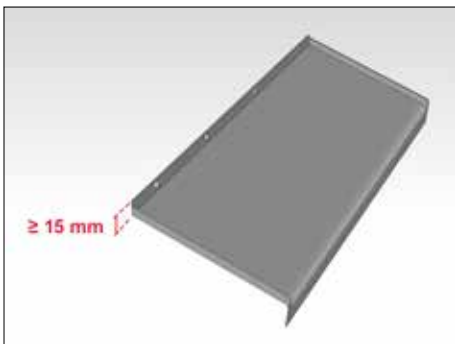
When vertical battens are installed, check once more to ensure that airflow is unobstructed everywhere.



In particular, check the windows and doors to make sure the vertical battens are on top of the horizontal battens everywhere.



You deserved a break! Now that your support frame is mounted, you are ready for the next installation steps.



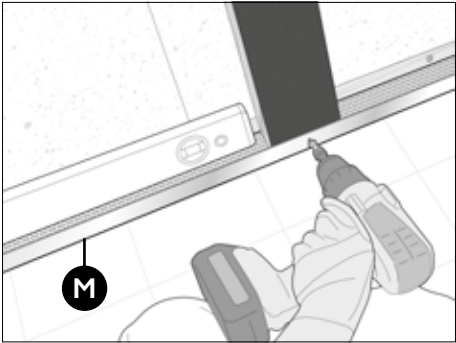
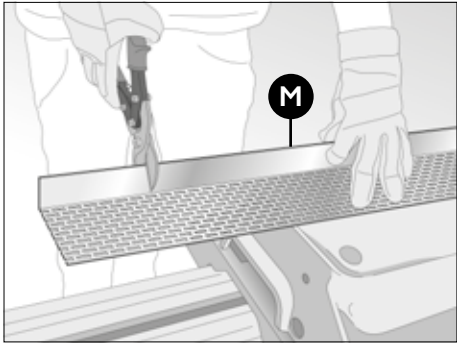
For a good result, ensure that the sill has at least a 5° slope, has raised edges along each side of at least 15 mm, and a drip edge at the front. The depth of the sill must accommodate the cavity, batten, and at least 40 mm of overhang.

# 4

## INSTALL PROFILES

A range of profiles are available in the Cedral installation system. They are designed to provide easy solutions for typical job site situations such as corners, window reveals, etc. The profiles can be cut using a hack saw or metal snips, and can be fastened to the timber battens using screws. Install the ventilation profile first, then the corner profiles and starter profile. The profiles will define the way your façade looks, so regularly check these using a spirit level to ensure that they are level! You will notice letters used in the drawings below. These refer to the component list at the end of this booklet.

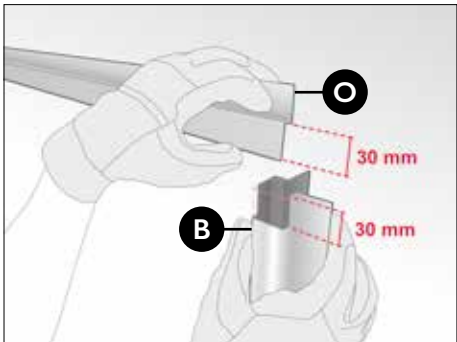
### 4.1 Install ventilation profiles



To keep the façade free of mice, birds, etc., install the ventilation profiles at the bottom of the façade and above the windows and doors. Ensure that any gap wider than 25 mm is protected.

Where needed, use vertical battens to attach the ventilation or a notch profile to fit the side of the battens.

### 4.2 Install vertical & horizontal corner profiles

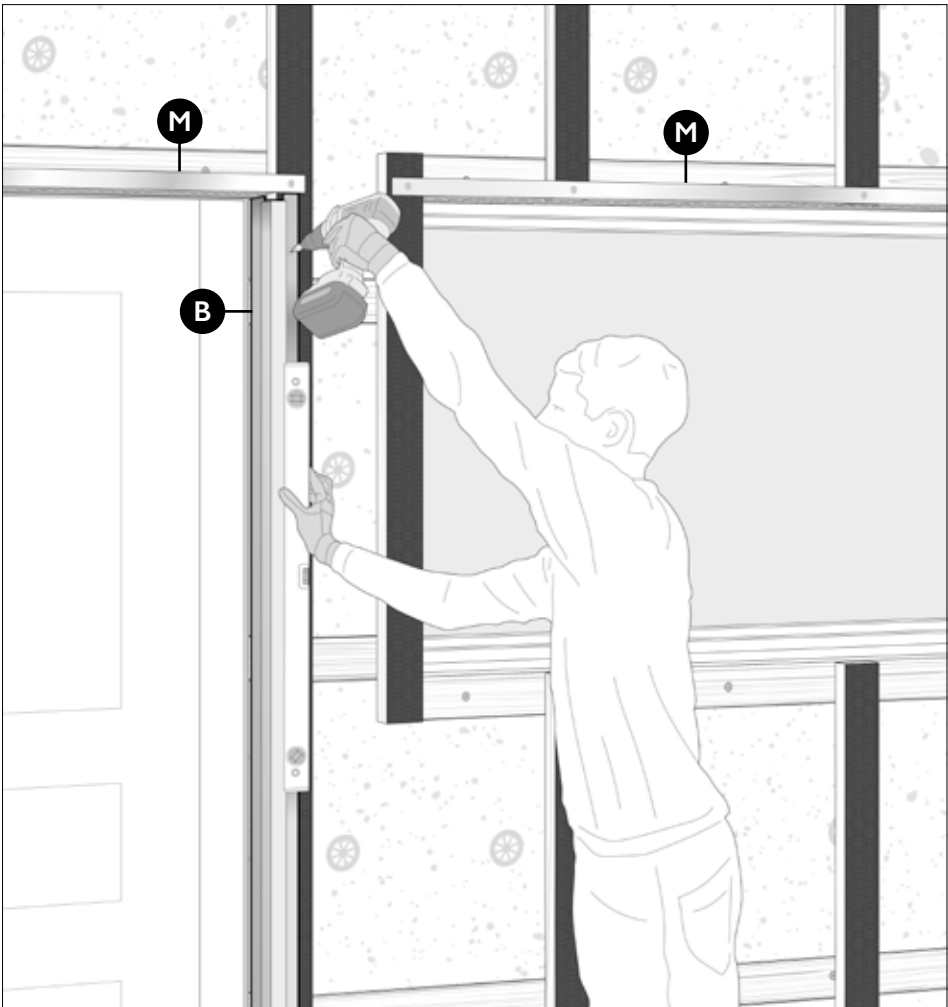


Cut the corners and lintel profile at the top of the doors to ensure a neat finish. Do not install the window profiles yet. Those will be cut later.



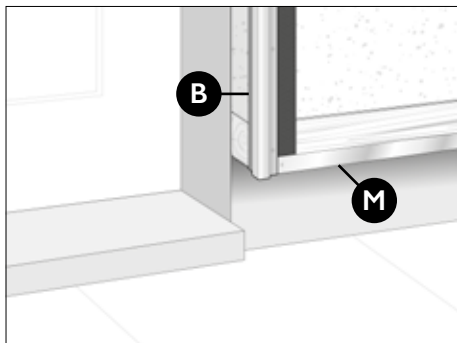
### REMEMBER SAFETY

Profile edges can be sharp.  
Wear gloves!

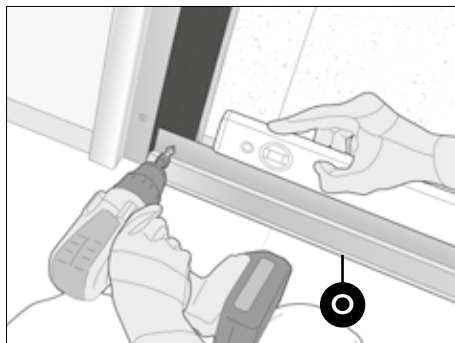


Now attach the internal and external corner profiles to the battens with flat-head screws.

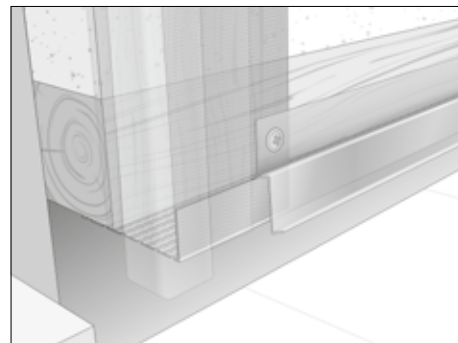
### 4.3 Install starter profile



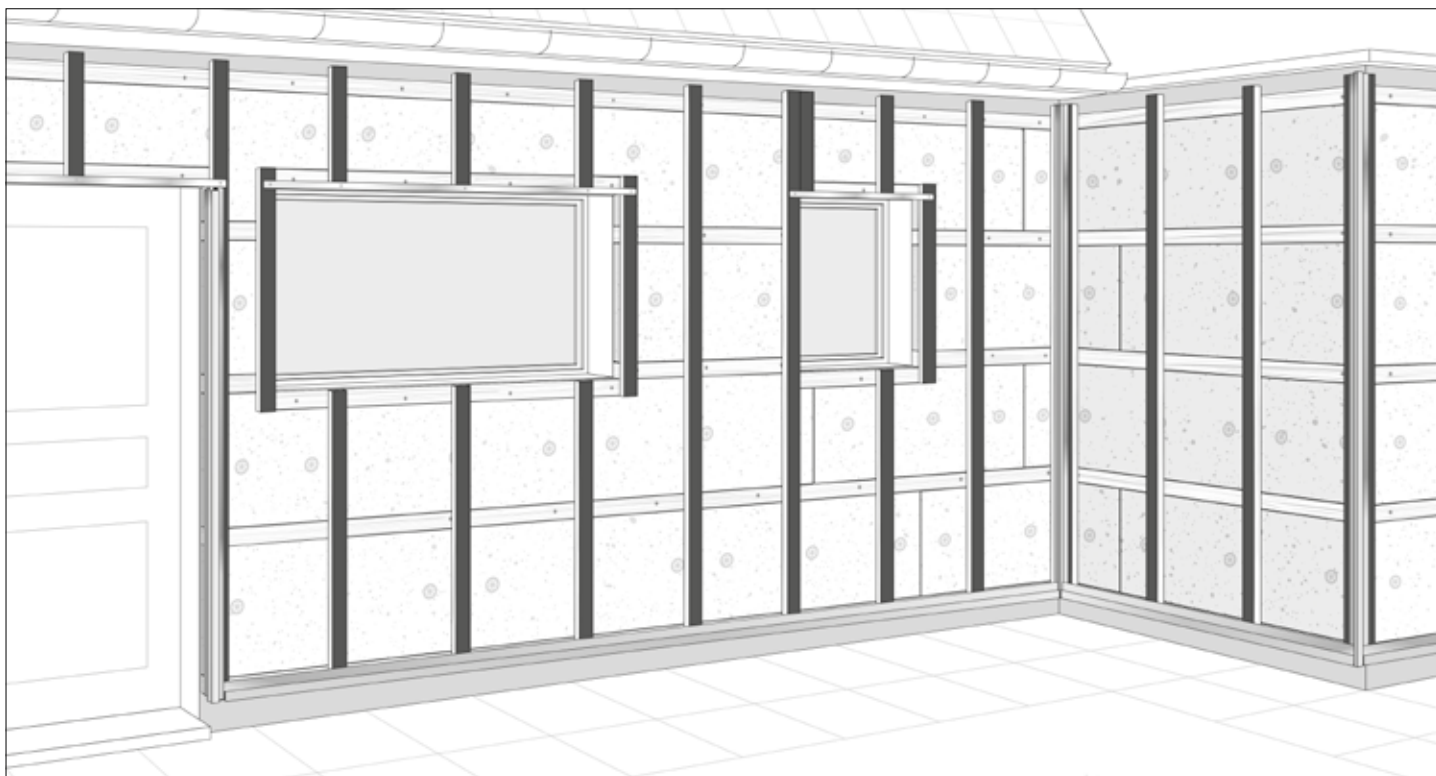
Make sure the bottom of the corner profile is flush with the ventilation profile.



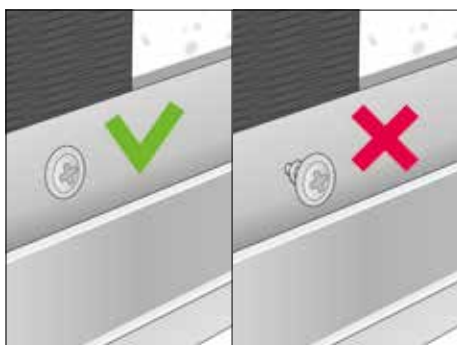
Now install the starter profile across the bottom of the façade and at the same height. It is very important that the starter profile is perfectly level.



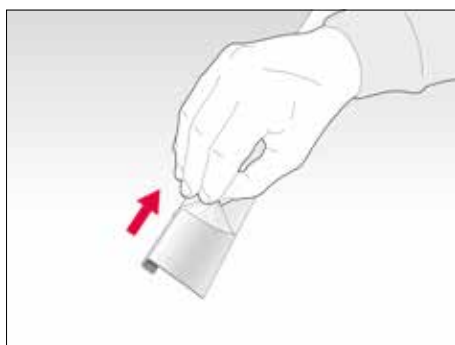
The starter profile is installed over the ventilation profile and next to the corner profile.



Before installing the Cedral cladding, double check that the starter profile is level and that it starts at the same height everywhere. Also double-check to ensure that the vertical airflow remains unobstructed.



Use stainless steel screws to attach the profile. Ensure all screws are flush with the profile surface.



Remove the protective film from the profiles before installation. The arrows on the protective film are irrelevant when installing Cedral cladding.

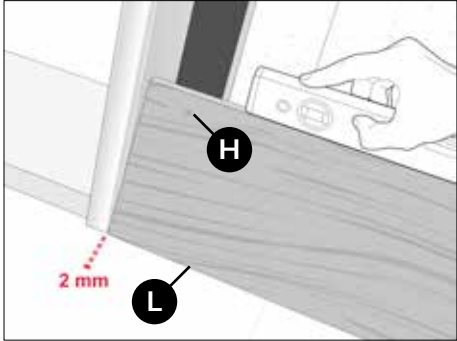


Use Cedral embossed profiles to ensure quality and paint durability.

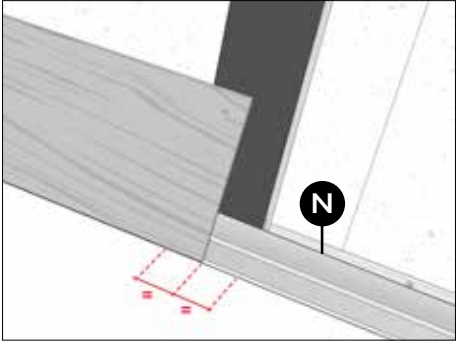
# 5

## INSTALL CEDRAL SIDINGS

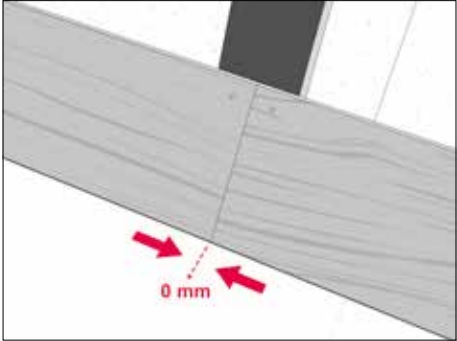
Now it is time to finish the façade. Start the installation at a lower corner of the building and install the first strip, fastening it to each batten using a screw. Insert the next Cedral strip next to the first, until the first row is completed. The cut-off piece of the first row can then become the starting piece of the next row, as long as butt joints meet on a vertical batten. Then work your way up and continue successive rows, following a staggered pattern, until doors or windows interrupt the build-up.



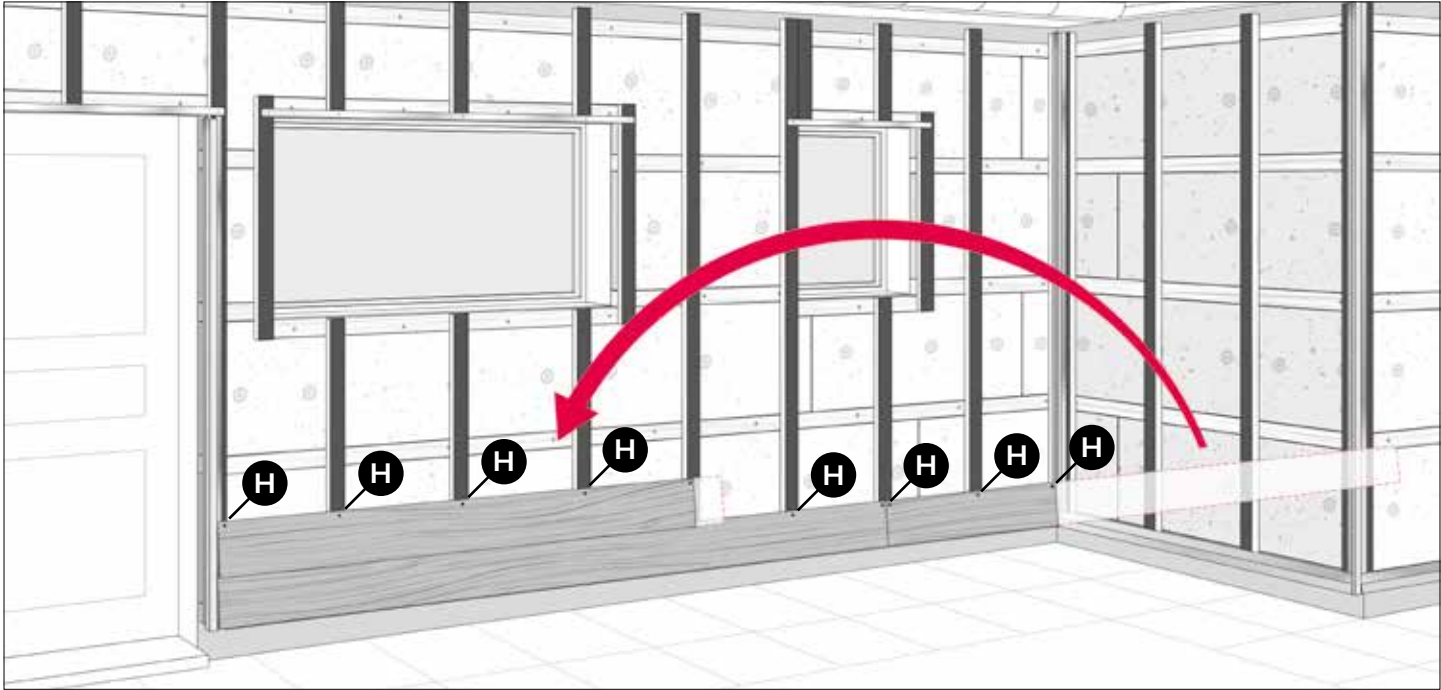
Position first plank on starter profile, keeping a 2 mm gap. Fit the bottom of the plank in the profile.



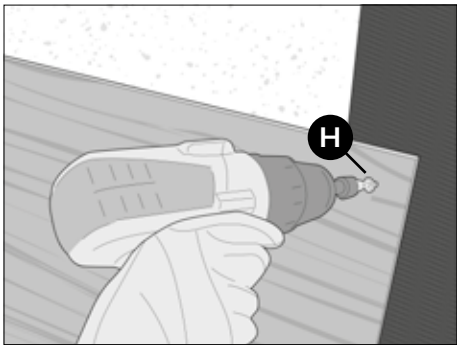
Make sure that the plank end concurs with middle of vertical batten.



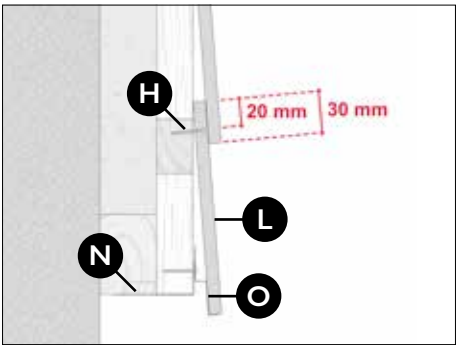
Mount next plank. Place neighboring planks with ends against each other (no gap) and always on top of an underlying supportive batten.



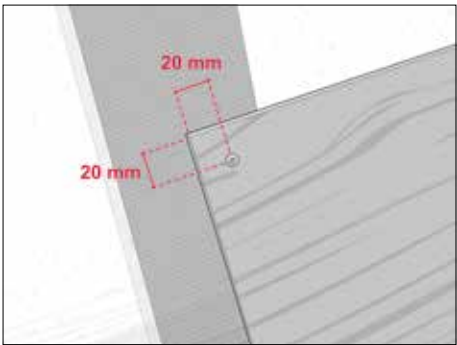
Minimize leftovers- cut remaining part of the plank to length to allow it to land on the batten. Use the remain section of the plank to start the next course. Fix plank on every batten with a screw.



Use Cedral screws to ensure quality.

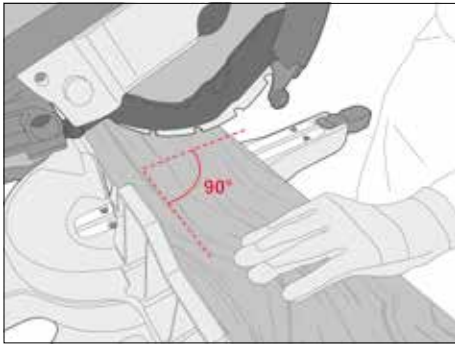


Next course of plank to overlap the first row by 30 mm.

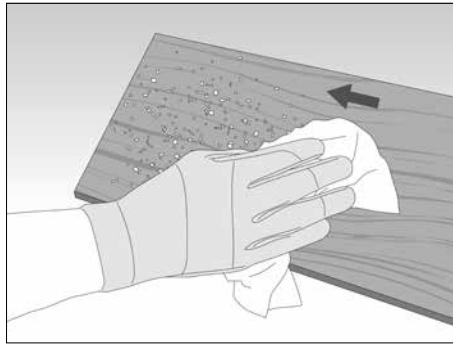


Keep screws 20 mm away from plank side and top.

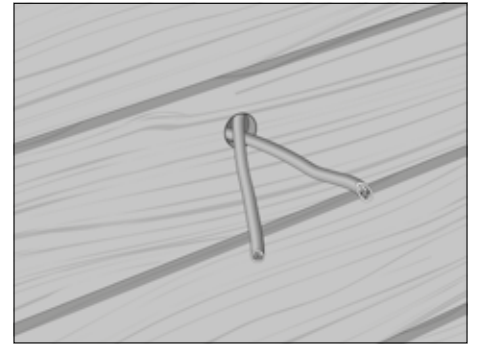




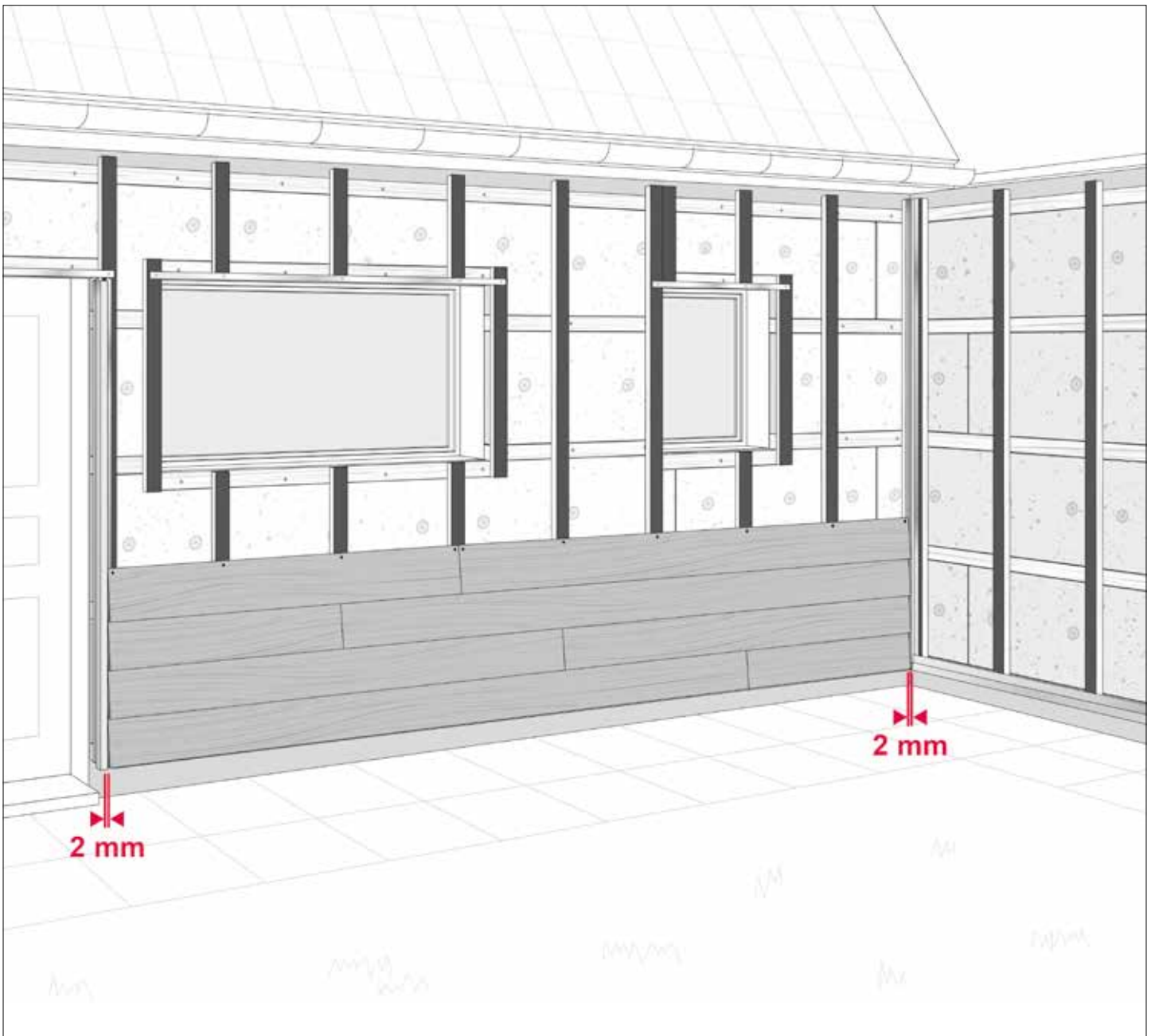
Cut the strip to fit. Make sure it is perfectly square. Wear protective gear when cutting.



After cutting, clean off the cutting dust using a microfibre cloth in one movement from inside to outside.



Now is the time to make holes or cut-outs for any lighting or appliances you want to install later.



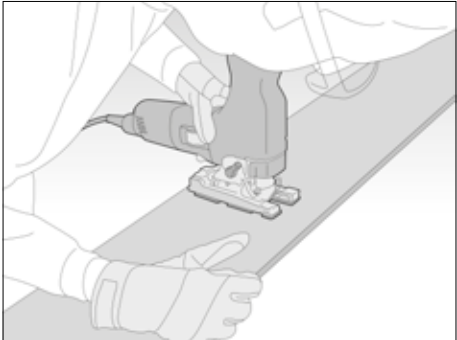
Work your way up, installing the cladding one row on top of the other, screwfixing the strip to every batten. Make sure that all vertical joints meet at a batten. Continue building until you reach a window. Then proceed as explained in the following pages. Keep the 2-mm gap next to every profile.



# 6

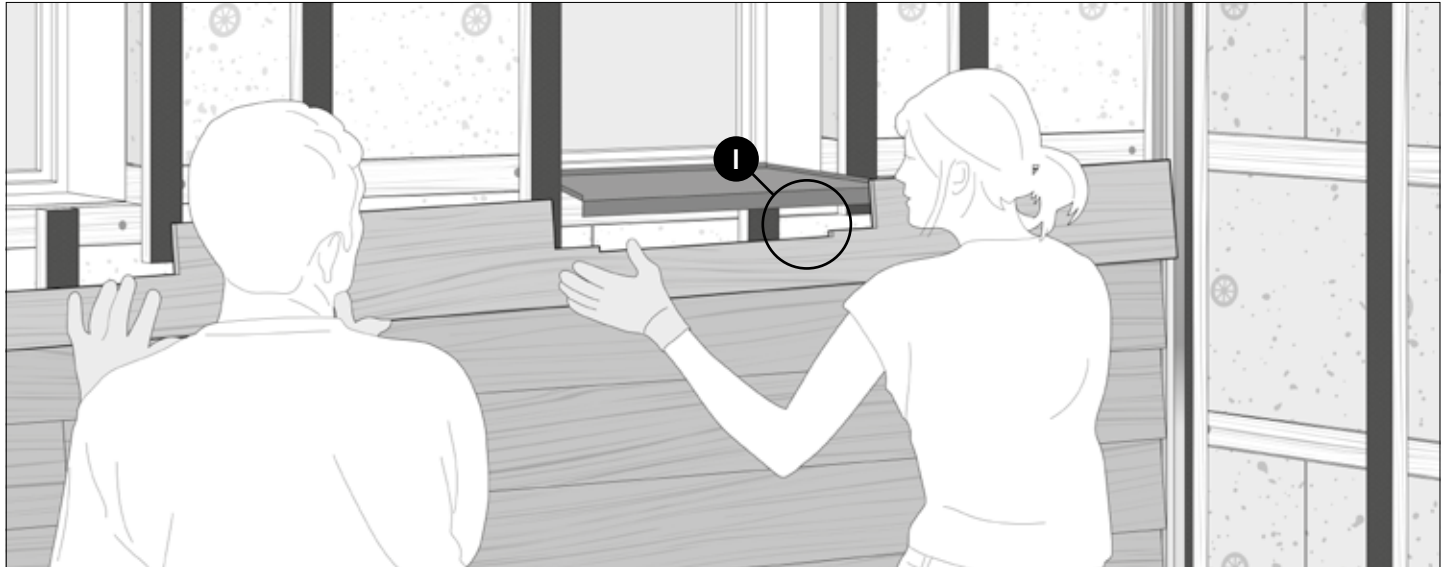
## WINDOW FINISHING

Whilst installing the façade, you will encounter a window. We explain below how to successfully complete such window installation.

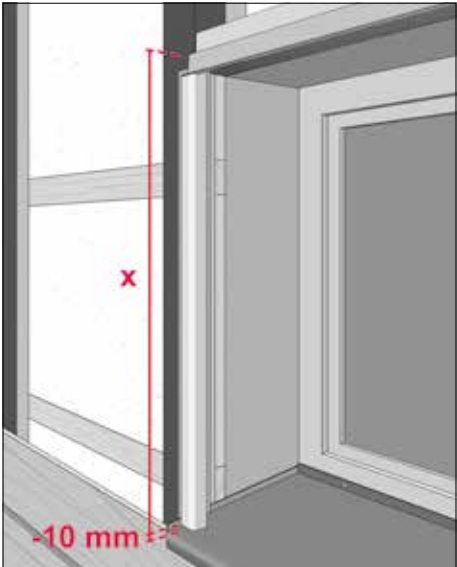
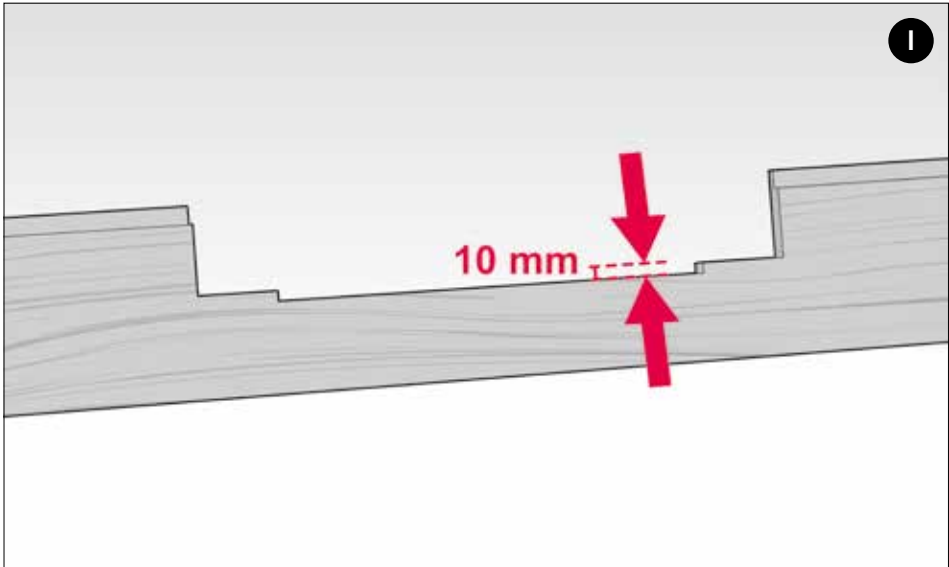


With the last plank finished below your window, you can lay the cill in place (without fixing) and mark where on the next plank, the cill will be. Turn plank over and trace the outline of the cill on the backside of the plank. Foresee a 1 cm gap between the cill and the plank for ventilation.

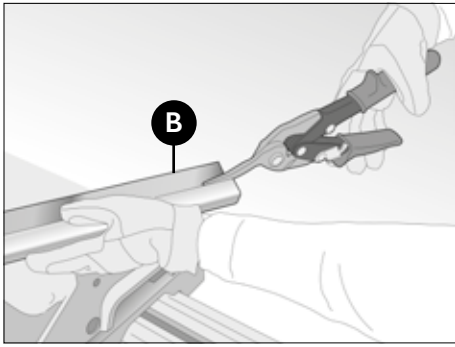
Use a jigsaw to cut out the space you foresaw at the plank backside to accommodate window, cill and ventilation.



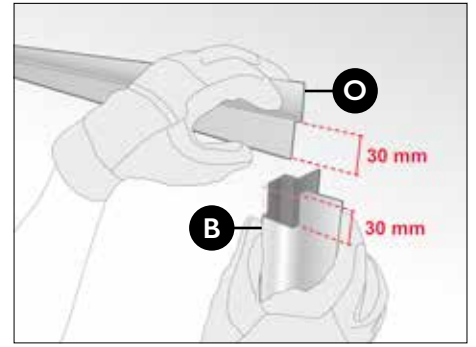
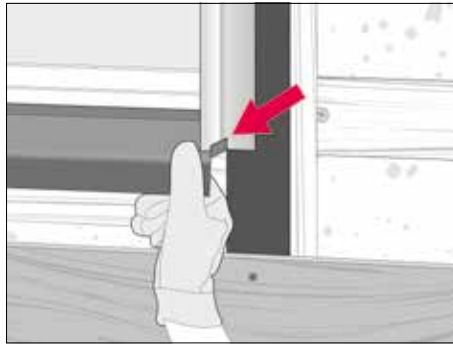
Now install the cut-out plank matching window and cill. Just be careful now with the plank to prevent it breaking at the cut edges.



With the cill in place, you can now determine the length of the corner profile, making sure to leave a gap (10 mm) to the cill.



Cut the external corner profile to length and remove enough of the profile at the bottom to accommodate the window sill.



Cut external profile at the top with a hack saw, for the lintel profile.



Work your way up to the window. When you reach the top strip, trace the outline of the top of the window on to the back of the strip, and cut it with the jigsaw. Make sure the strip at the top of window lines up with the other strips in the row course and then secure with a screw.



Cut the top of the last strip in the longitudinal direction to the correct height using the saw, being sure to keep a minimally 10 mm gap at the top of the façade.



Fix strip at the top with colour matched screws. Coloured Cedral screws are available from your dealer.

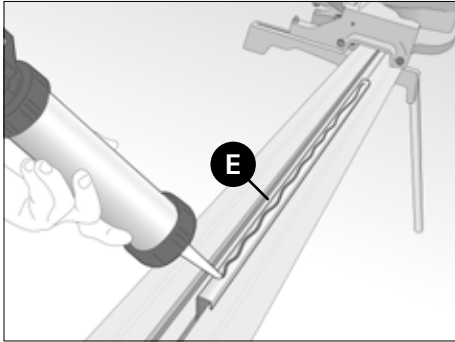


Now finish all other façades, ensuring that the strips meet at the same heights at every corner.

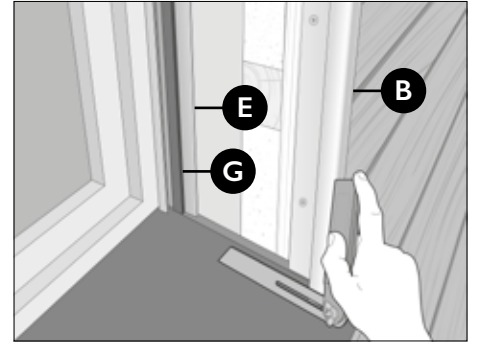
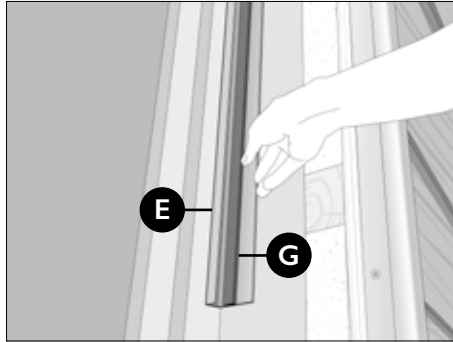
# 7

## THE FINISHING TOUCH

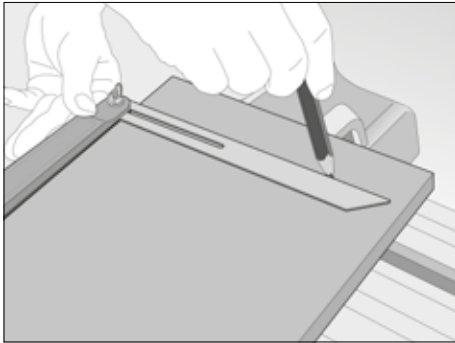
With your façade nearly complete, we are going to finish off the window reveals and some other small aspects.



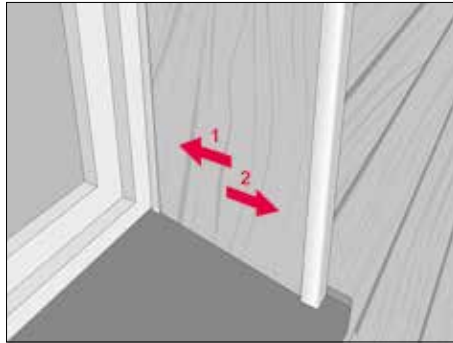
Once cut, apply a foam strip to the front of the connector profile and a line of polyurethane glue along the side of the profile. Apply the profile (with glue) to the window frame, ensuring it lines up with the corner profile perfectly and it doesn't prevent the window from opening.



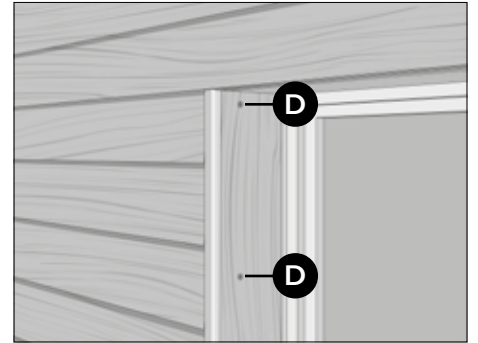
Measure the angle of the cill.



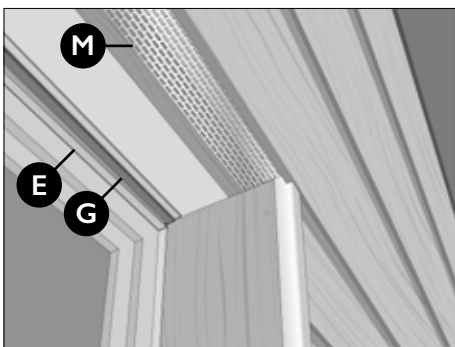
Trace to strip and cut. Note: cut the strip with the back facing up to ensure a clean cut.



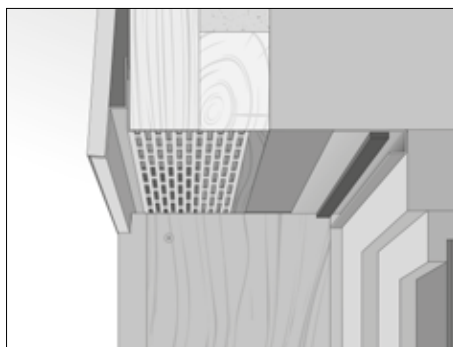
Slide (1) strip into the connector profile and pull back (2) to corner profile.



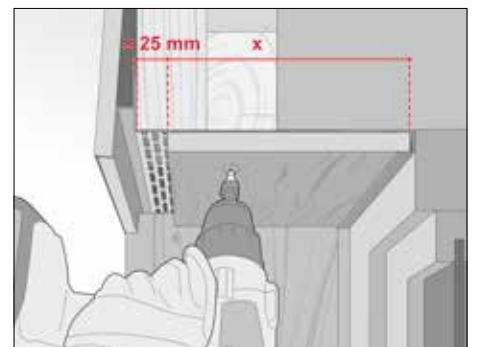
Install to batten with colour matched Cedral screws.



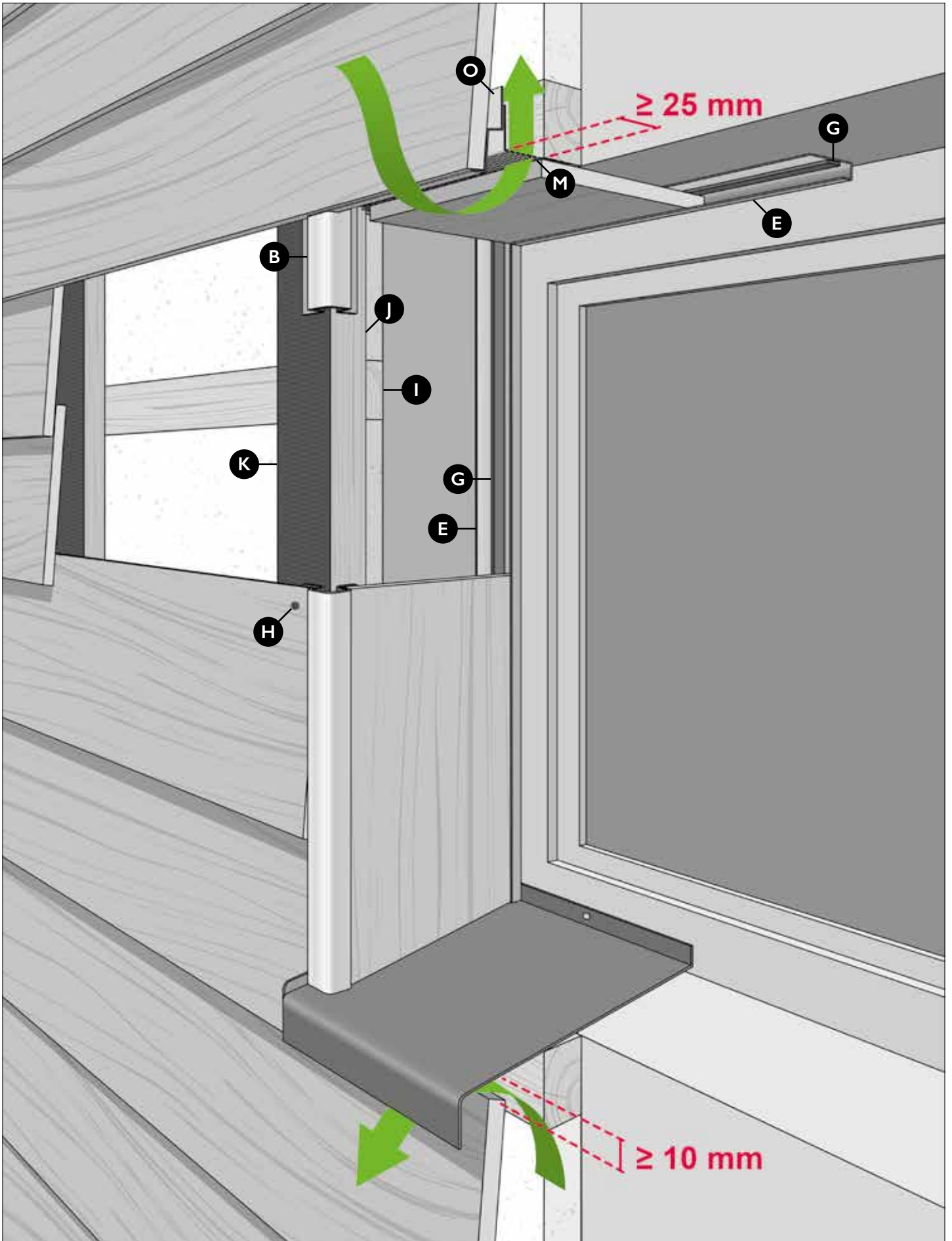
Now measure, cut, and install the connector profile with the foam strip at the top of the window reveal as explained above.



Measure the depth of the window reveal, taking a 25-mm gap into account, for ventilation to the connector profile and cut a strip in the longitudinal direction to fit x. If the depth requires, multiple strips can be used here.



Slide the strip into the connector profile and fasten this to the horizontal batten using coloured Cedral screws.





# 8

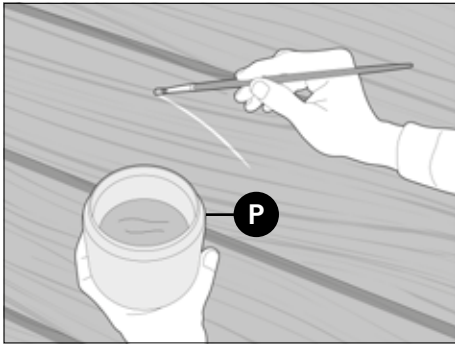
## FINISH THE FAÇADE



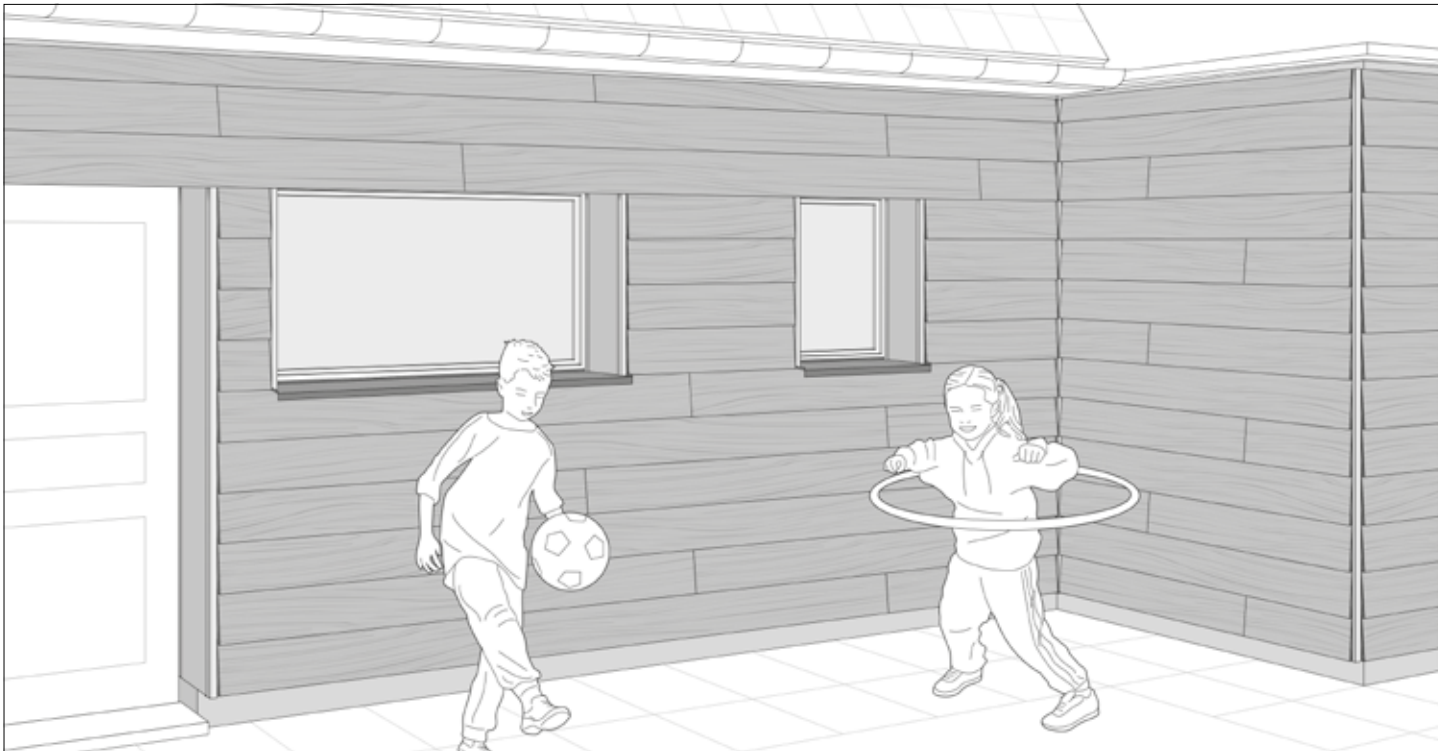
Order a made-to-measure parapet if you have a flat roof, which allows for sufficient ventilation and coverage.



Use an aluminium profile or a Cedral strip to cover the cavity and strips along the sides.



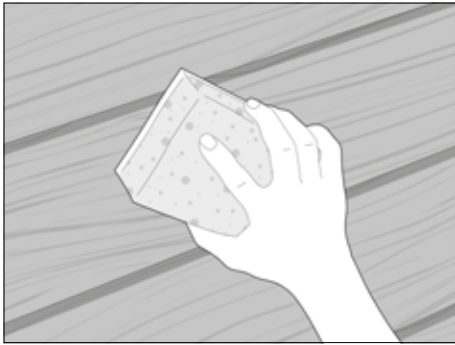
Use touch up paint to correct any damage that might have occurred during installation to ensure a neat finish. Gently tap and smooth out paint for the best results.



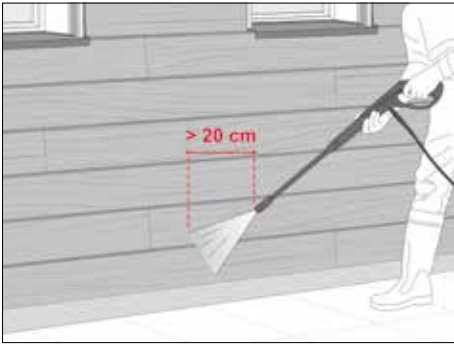
You're done! Enjoy! Time to sit back and admire your new façade. If you follow our care advice, your façade will continue to look its best for many years to come!



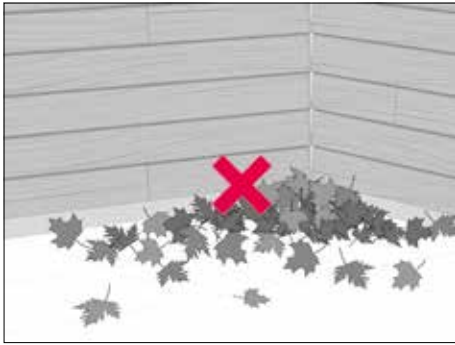
### CARE ADVICE



The strips can be cleaned by using water, a mild detergent, and a sponge.



Alternatively, a power washer can be used at a maximum of 80 bar at least 20 cm away from the cladding. Water is to be sprayed flat and wide; rotating, dirt-cutting sprays are not suitable.



Make sure that ventilation stays open always - e.g. leaves, snow, and/or soil accumulations must be removed.



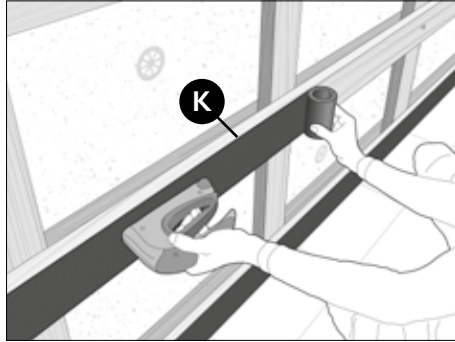
# 9

## VERTICAL INSTALLATION

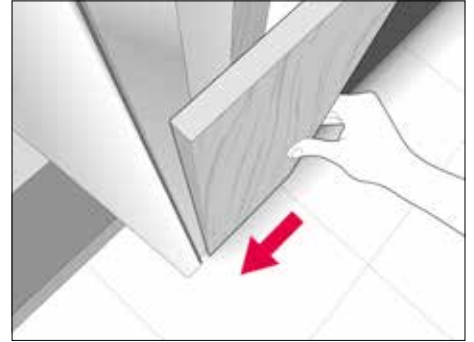
You can also install Cedral vertically. Follow the steps below:



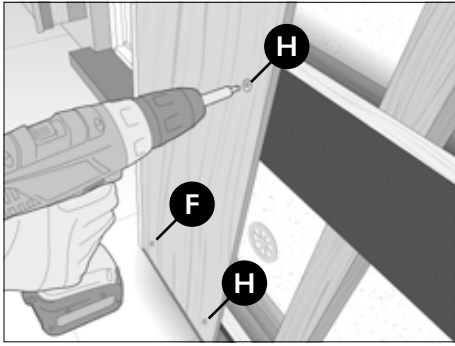
Install another layer of horizontal battens on top of vertical battens.



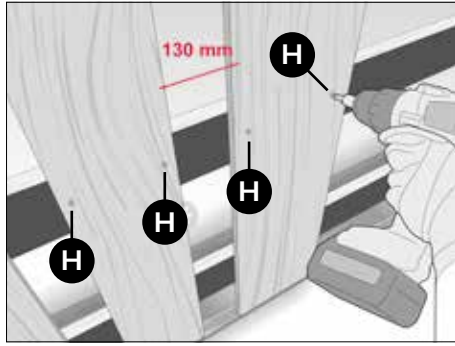
Apply plastic strips (PE or EPDM) on top of the wooden battens.



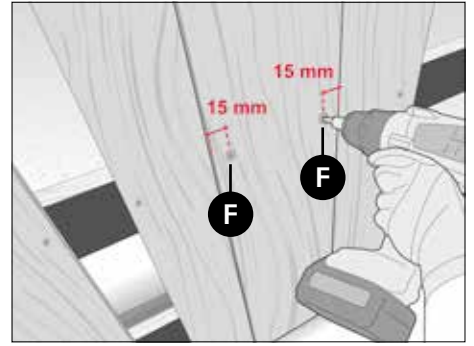
Install the first strip at 2 mm from corner profile.



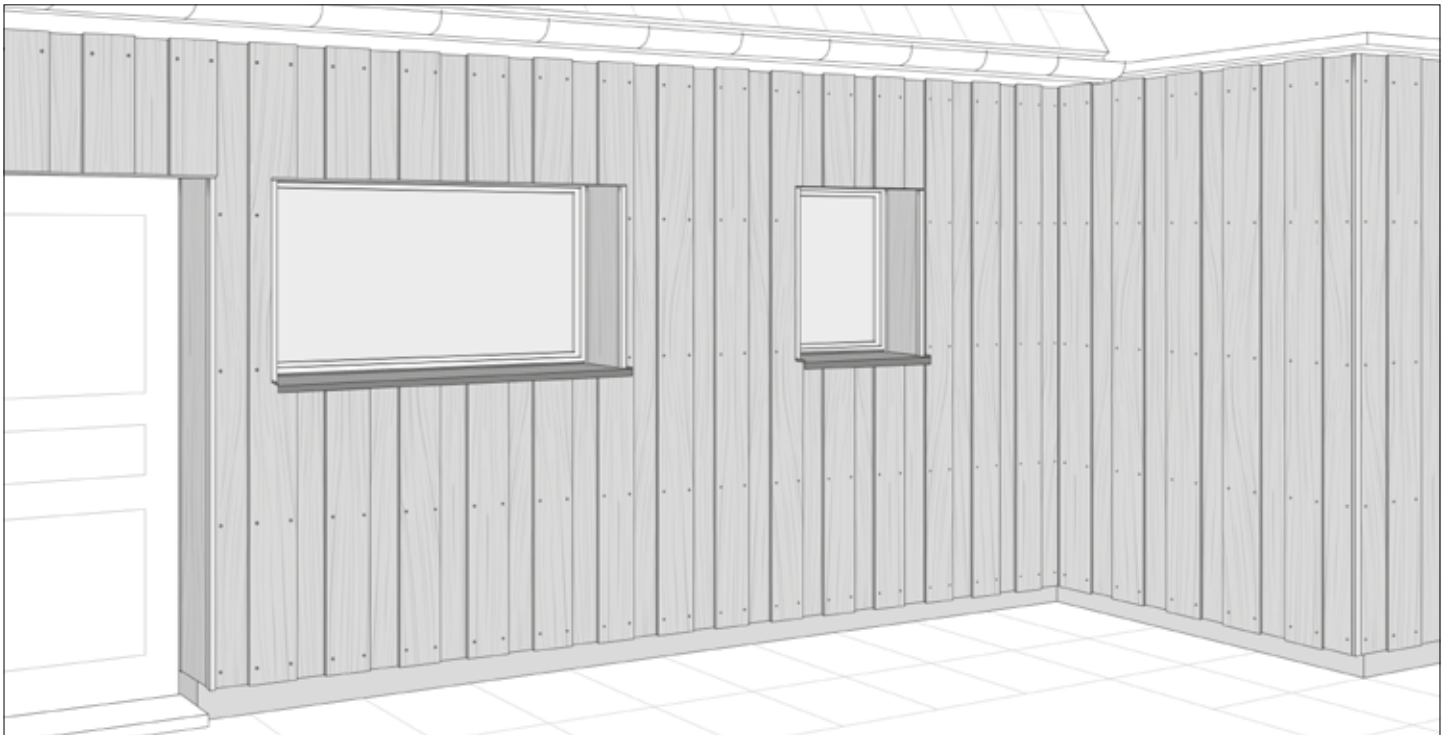
Fix rear strips twice on to every batten at a minimum 20 mm for plank edge. Fix first of rear strips. Consider that screws at corner stay visible so choose Cedral colour matched screws.



Continue adding strips till end with a distance of 130 mm between them and fix with screws.



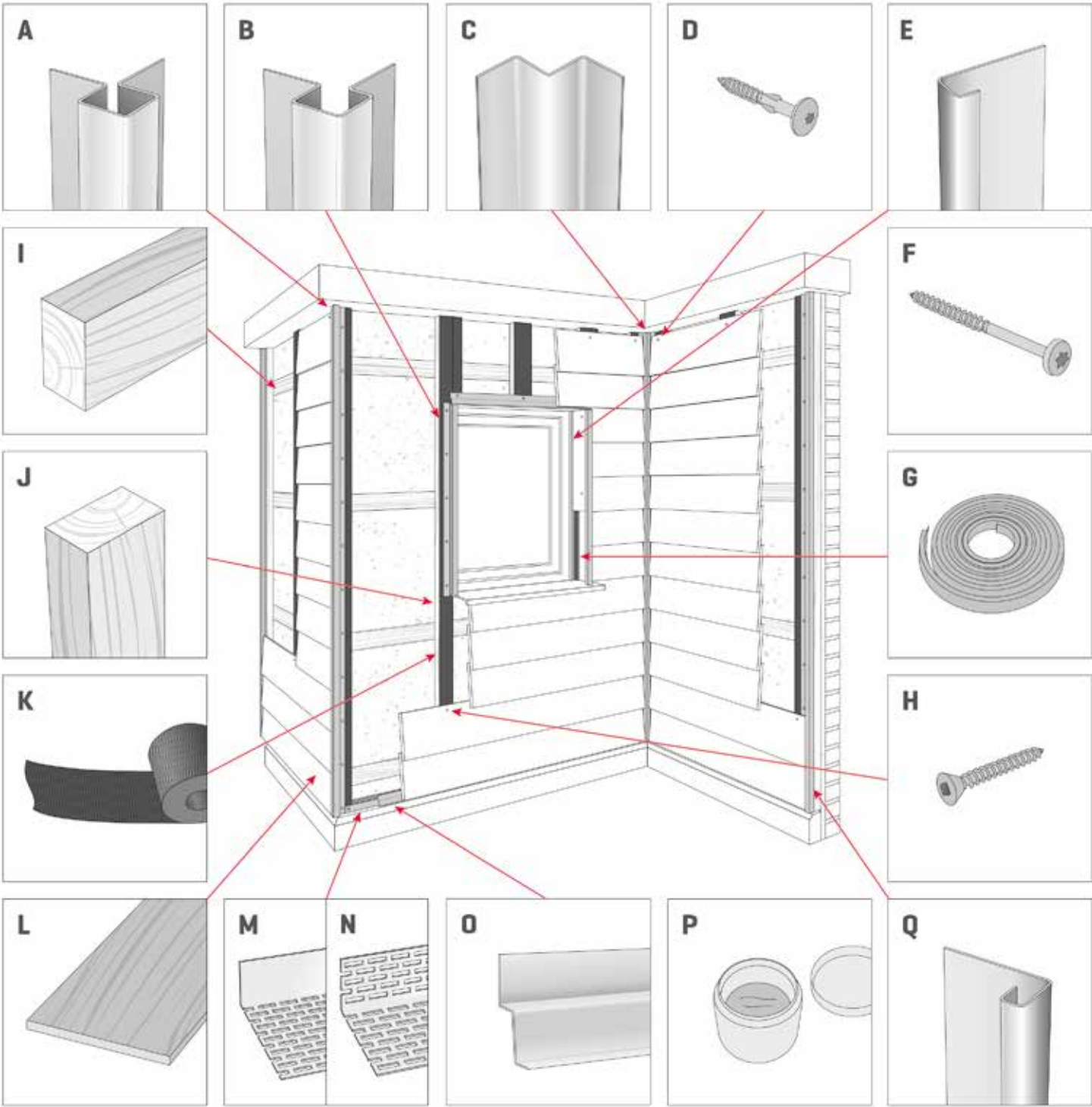
Position front strips with 30 mm overlap to rear planks. Fix front strips using coloured screws at 15 mm edge distance, penetrating both planks and screwing into timber.



For a neat finish, align the Cedral colour matched screws horizontally.

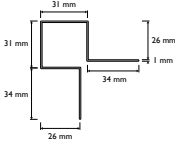
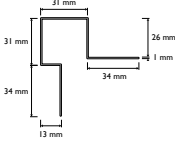
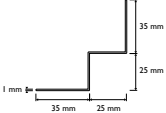
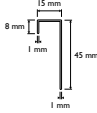

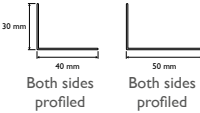
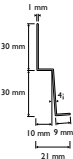
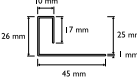
# 10

## CEDRAL LAP SYSTEM COMPONENTS & REQUIRED QUANTITIES



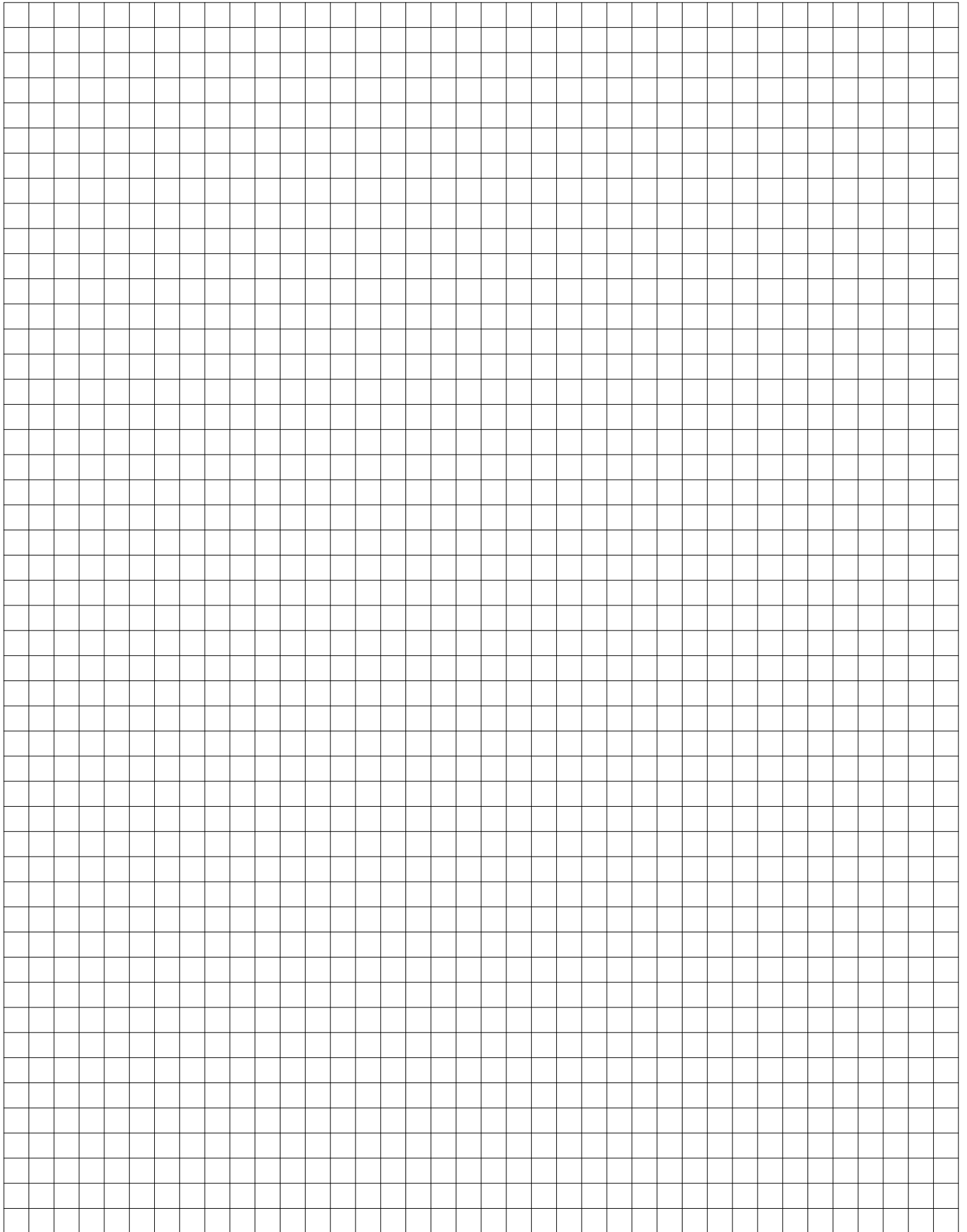
# COMPONENT LIST FOR CEDRAL LAP

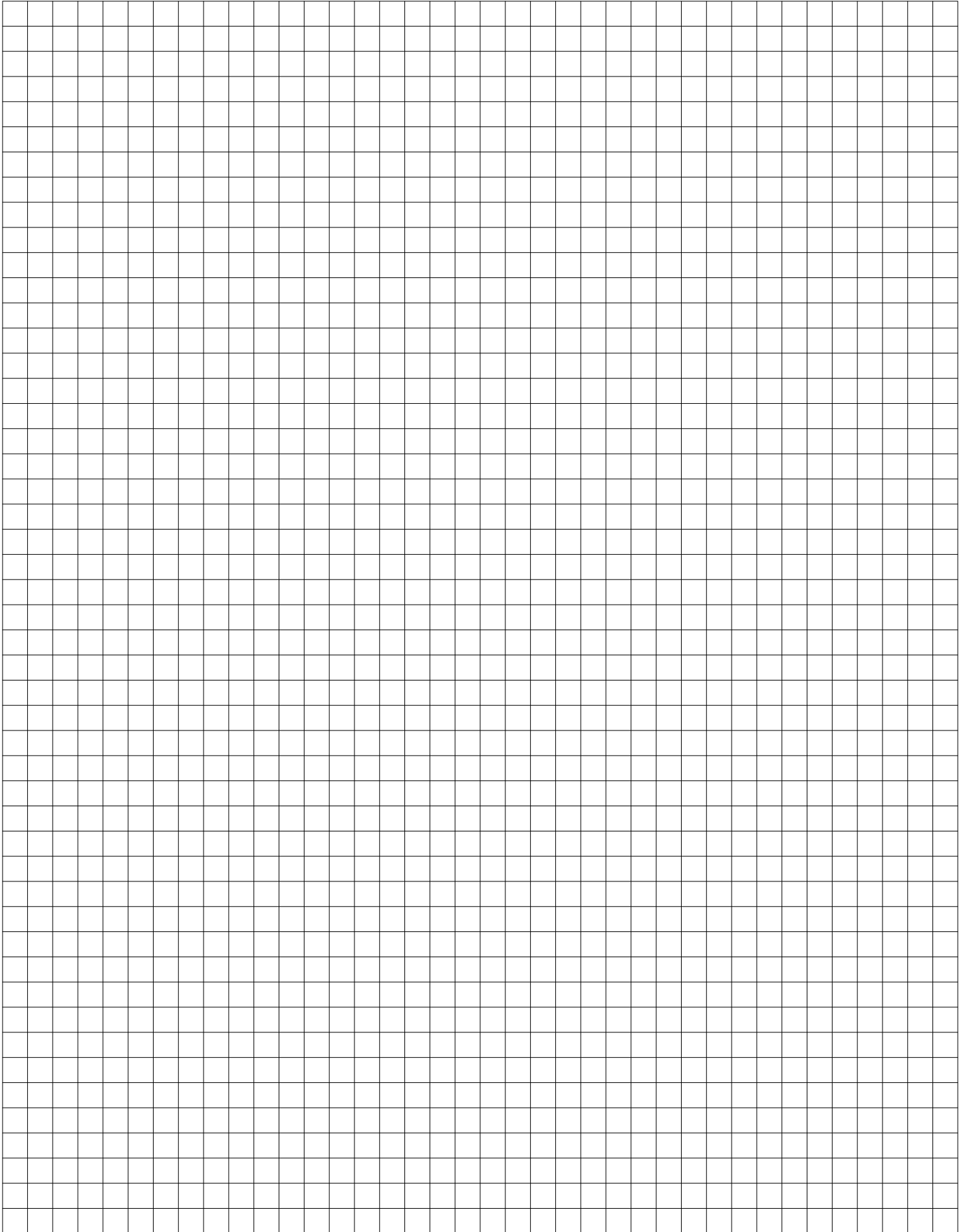
You can use the table below to identify the material needs for your project.

| Ref | Name                               | Dimensions   | Quantity*                            | Necessities |
|-----|------------------------------------|--|--------------------------------------|-------------|
| A   | External corner profile symmetric  | length: 3000 mm<br>   | # running meters                     |             |
| B   | External corner profile asymmetric | length: 3000 mm<br>   | # running meters                     |             |
| C   | Internal corner                    | length: 3000 mm<br>   | # running meters                     |             |
| D   | Colour matched screw               | 4.2 x 38 mm  | # 2/m edge plank                     |             |
| E   | Connection profile                 | length: 3000 mm<br>  | # running meters                     |             |
| F   | Colour matched screws              | 4.2 x 52 mm  | 32 screws / m <sup>2</sup> surface   |             |
| G   | Compressible foam strip            | 6 x 9 mm   | # running meters                     |             |
| H   | Screw                              | Screw: 4.2 x 45 mm   | 12.5 screws / m <sup>2</sup> surface |             |
| I   | Horizontal timber batten           | Section: min. 50 x 70 mm   | # running meters                     |             |
| J   | Vertical timber batten             | Section: min. 50 x 70 mm   | # running meters                     |             |
| K   | Damp Proof Course (DPC)            | 100 x 0.5 mm x 30 m (in PE or EPDM)  | # running meters                     |             |
| L   | Cedral Lap panel                   | 10 x 190 x 3000 mm   | 1.74 pcs / m <sup>2</sup> surface    |             |
| M   | Perforated closure                 | length: 2500 mm<br> | # running meters                     |             |
| N   | Double sided perforated profile    | length: 2500 mm<br> | # running meters                     |             |
| O   | Starter profile                    | length: 3000 mm<br> | # running meters                     |             |
| P   | Touch up paint                     | 0.50 l   | -                                    |             |
| Q   | End profile                        | length: 3000 mm<br> | # running meters                     |             |

\* For questions about the necessary materials do not hesitate to contact your Cedral distributor.

# NOTES







**CEDRAL**  
Timelessly beautiful facades